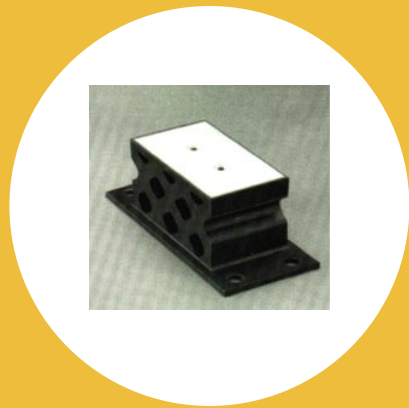


J-5984-11 Lattice Mount

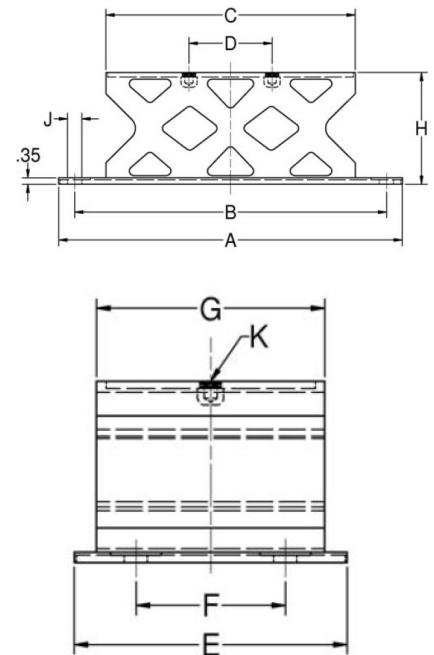


Item # J-5984-11 Lattice Mount

Manufacturer: Lord Corporation

Specifications

A (in)	9.75
B (in)	8.12
C (in)	5.5
E (in)	4.5
F (in)	2.06
F (mm)	52.3
G (in)	3.38
G (mm)	85.9
J (in)	0.76
J (mm)	19.3
Manufacturer	Parker LORD
Max Axial Deflection (in)	0.62
Max Axial Deflection (Metric)	15.7



[Request for Quote](#)

[Contact Us](#)

USA
4392 Broadway
Depew, NY 14043

Canada
2290 Industrial Street
Burlington, Ontario
L7P 1A1

888.842.5668

905.335.5523

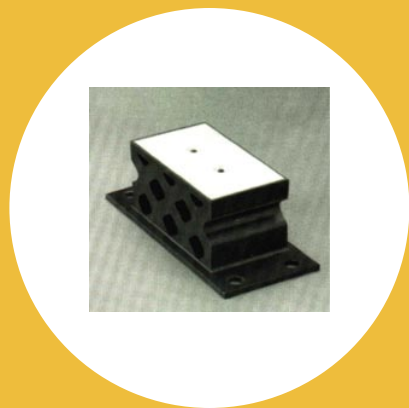
info@rpmrubberparts.com



J-5984-11 Lattice Mount

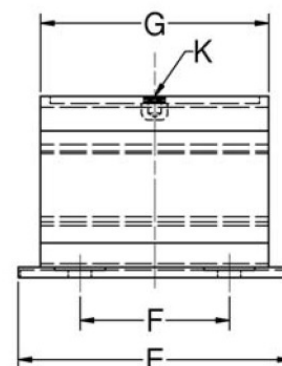
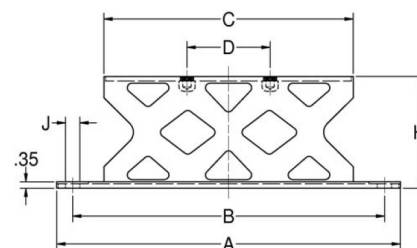
Item # J-5984-11 Lattice Mount

Manufacturer: Lord Corporation



Specifications (Continued)

Max Axial Load Rating (lbs)	425
Max Axial Load Rating (Metric)	1890
Types	I
Weight (lbs/ft)	5.8
Weight (Metric)	2.6



[Request for Quote](#)

[Contact Us](#)

USA
4392 Broadway
Depew, NY 14043

Canada
2290 Industrial Street
Burlington, Ontario
L7P 1A1

888.842.5668
905.335.5523
info@rpmrubberparts.com

