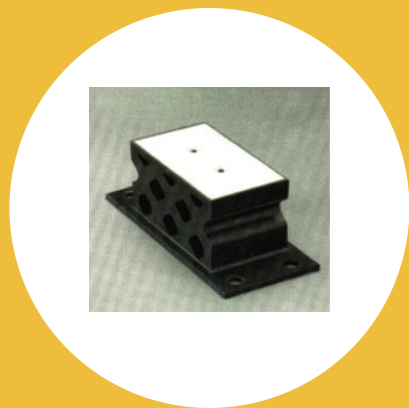


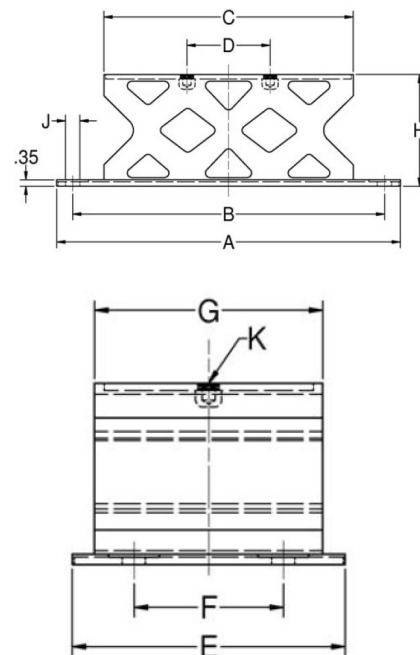
J-5984-19 Lattice Mount

Item # J-5984-19 Lattice Mount
 Manufacturer: Lord Corporation



Specifications

A (in)	9.75
B (in)	8.12
C (in)	5.5
E (in)	4.5
F (in)	2.06
F (mm)	52.3
G (in)	3.38
G (mm)	85.9
J (in)	0.76
J (mm)	19.3
Manufacturer	Parker LORD
Max Axial Deflection (in)	0.62
Max Axial Deflection (Metric)	15.7



[Request for Quote](#)

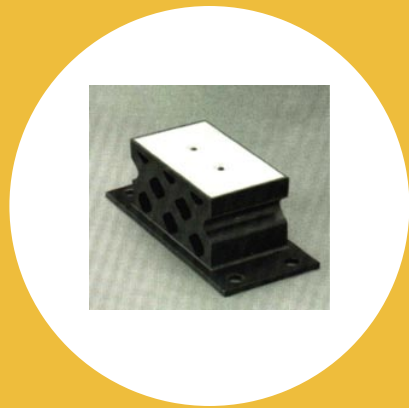
[Contact Us](#)

USA
 4392 Broadway
 Depew, NY 14043

Canada
 2290 Industrial Street
 Burlington, Ontario
 L7P 1A1

888.842.5668
 905.335.5523
info@rpmrubberparts.com [in](#) [f](#)

J-5984-19 Lattice Mount

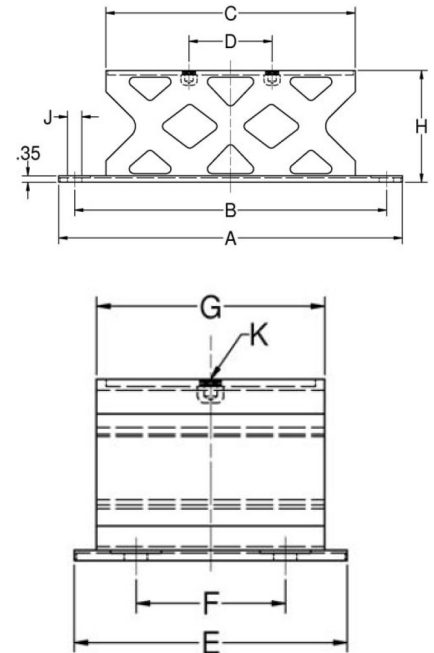


Item # J-5984-19 Lattice Mount

Manufacturer: Lord Corporation

Specifications (Continued)

Max Axial Load Rating (lbs)	375
Max Axial Load Rating (Metric)	1668
Types	I
Weight (lbs/ft)	5.8
Weight (Metric)	2.6
Test	12 3 4 5



[Request for Quote](#)

[Contact Us](#)

USA
4392 Broadway
Depew, NY 14043

Canada
2290 Industrial Street
Burlington, Ontario
L7P 1A1

888.842.5668
905.335.5523
info@rpmrubberparts.com

