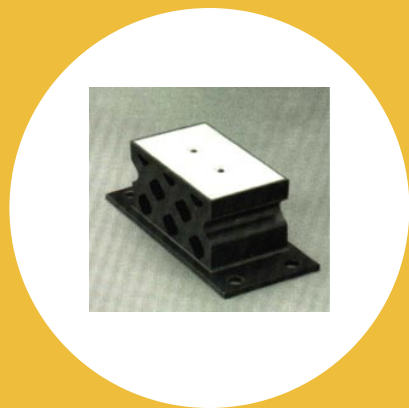


# J-5984-20 Lattice Mount

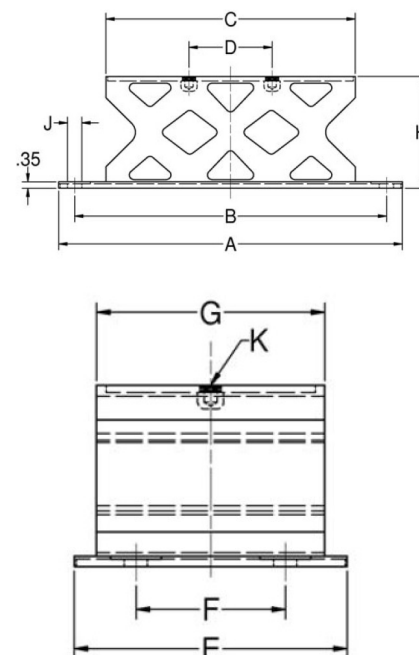


Item # J-5984-20 Lattice Mount

Manufacturer: Lord Corporation

## Specifications

A (in)	9.75
B (in)	8.12
C (in)	5.5
E (in)	4.5
F (in)	2.06
F (mm)	52.3
G (in)	3.38
G (mm)	85.9
J (in)	0.76
J (mm)	19.3
Manufacturer	Parker LORD
Max Axial Deflection (in)	0.62
Max Axial Deflection (Metric)	15.7



[Request for Quote](#)

[Contact Us](#)

**USA**  
4392 Broadway  
Depew, NY 14043

**Canada**  
2290 Industrial Street  
Burlington, Ontario  
L7P 1A1

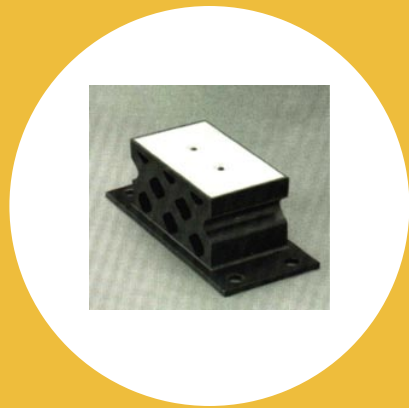
888.842.5668

905.335.5523

[info@rpmrubberparts.com](mailto:info@rpmrubberparts.com)



# J-5984-20 Lattice Mount

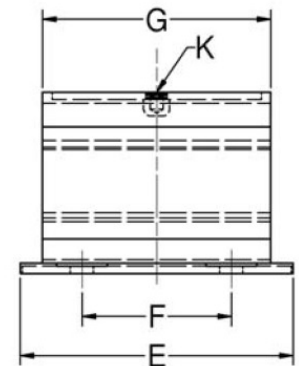
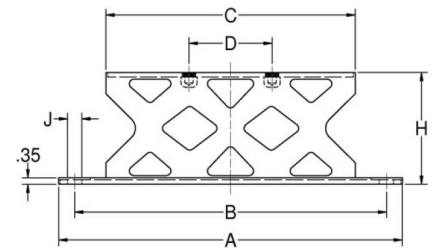


Item # J-5984-20 Lattice Mount

Manufacturer: Lord Corporation

## Specifications (Continued)

Max Axial Load Rating (lbs)	640
Max Axial Load Rating (Metric)	2847
Types	I
Weight (lbs/ft)	5.8
Weight (Metric)	2.6



[Request for Quote](#)

[Contact Us](#)

**USA**  
4392 Broadway  
Depew, NY 14043

**Canada**  
2290 Industrial Street  
Burlington, Ontario  
L7P 1A1

888.842.5668

905.335.5523

info@rpmrubberparts.com

