

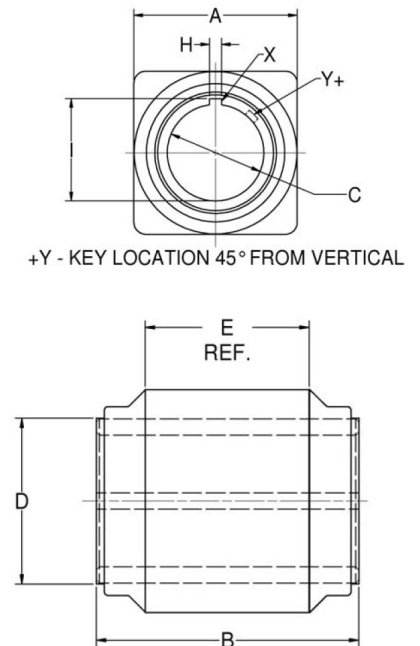
J-6450-19 Square Bonded Bushings



Item # J-6450-19 Square Bonded Bushings
 Manufacturer: Parker Lord Corporation

Specifications

A (in)	1 3/4
B (in)	2.62
C (in)	0.626
D (in)	1
E (in)	1.17
F (in)	1.62
F (mm)	41.1
G (in)	1.75
G (mm)	44.5
I (in)	0.719
I (mm)	18.3
J (in)	0.09
J (mm)	2.3



[Request for Quote](#)

[Contact Us](#)

USA
 4392 Broadway
 Depew, NY 14043

Canada
 2290 Industrial Street
 Burlington, Ontario
 L7P 1A1

888.842.5668
 905.335.5523
info@rpmrubberparts.com



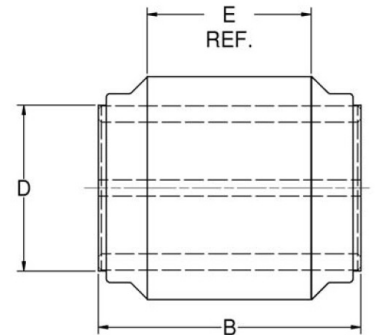
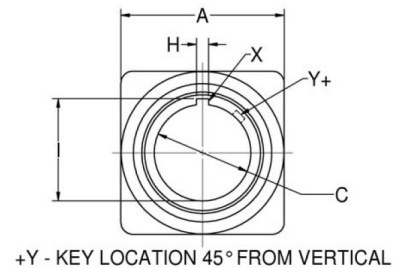
J-6450-19 Square Bonded Bushings



Item # J-6450-19 Square Bonded Bushings
Manufacturer: Parker Lord Corporation

Specifications (Continued)

Key Location	Y
Max Radial Static Load Rating (lbs)	700
Max Radial Static Load Rating (kg)	3114
Spring Rate Radial K?R??? (lbs/in)	25000
Spring Rate Radial K?R??? (N/m)	4378
Static Torque (lb-ft)	400
Static Torque (Nm)	542



[Request for Quote](#)

[Contact Us](#)

USA
 4392 Broadway
 Depew, NY 14043

Canada
 2290 Industrial Street
 Burlington, Ontario
 L7P 1A1

888.842.5668

905.335.5523

info@rpmrubberparts.com

