

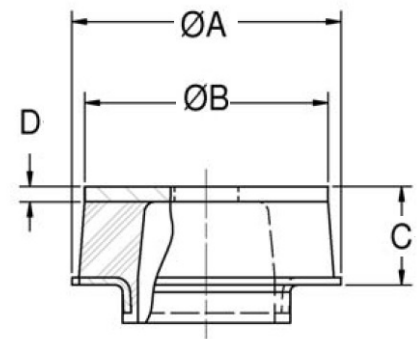
# J-7401-27 Two-Piece Mounts Ssb Series



Item # J-7401-27 Two-Piece Mounts Ssb Series  
 Manufacturer: Lord Corporation

## Specifications

A (in)	2.22
Axial Static Spring Rate (lbs/in)	4970
Axial Static Spring Rate (Metric)	890
B (in)	2
C (in)	0.81
D (in)	0.125
E (in)	1.81
F (in)	1.38
I (in)	0.51
I (mm)	12.9
K (in)	2.06
K (mm)	52.3
Manufacturer	Parker LORD



Two-Piece Mounts are designed for applications involving severe dynamic forces in the static load direction, as well as the rebound direction. Travel is limited in both directions by rubber in compression which provides snubbing. These mounts are designed to support engines, cabs and accessory units, accommodate


[Request for Quote](#)
[Contact Us](#)

**USA**  
 4392 Broadway  
 Depew, NY 14043

**Canada**  
 2290 Industrial Street  
 Burlington, Ontario  
 L7P 1A1

888.842.5668

905.335.5523

info@rpmrubberparts.com





uses. For off-highway, use  
80% of the load shown.



[Request for Quote](#)

[Contact Us](#)

 **USA**  
4392 Broadway  
Depew, NY 14043

 **Canada**  
2290 Industrial Street  
Burlington, Ontario  
L7P 1A1

 888.842.5668

 905.335.5523

 [info@rpmrubberparts.com](mailto:info@rpmrubberparts.com)



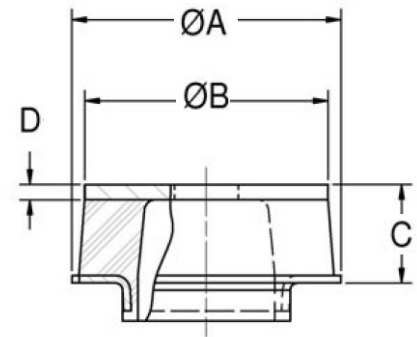
# J-7401-27 Two-Piece Mounts Ssb Series



Item # J-7401-27 Two-Piece Mounts Ssb Series  
 Manufacturer: Lord Corporation

## Specifications (Continued)

Material	Low Carbon Steel
Max Axial Static Load at Deflection (lbs)	185 at 0.035
Max Axial Static Load Rating at Deflection (lbs/in)	185 at 0.035
Radial Static Spring Rate (lbs/in)	560
Radial Static Spring Rate (Metric)	560
Recommended Bolt Grade or Class (SAE J1199)	5.8
Recommended Bolt Grade or Class (SAE J429)	2
Recommended Bolt Size (in)	0.5
SD (in)	1.4
SD (mm)	35.6
Series	Armored Series
T (in)	0.625
T (mm)	15.9



Two-Piece Mounts are designed for applications involving severe dynamic forces in the static load direction, as well as the rebound direction. Travel is limited in both directions by rubber in compression which provides snubbing. These mounts are designed to support engines, cabs and accessory units, accommodate


[Request for Quote](#)
[Contact Us](#)

**USA**  
 4392 Broadway  
 Depew, NY 14043

**Canada**  
 2290 Industrial Street  
 Burlington, Ontario  
 L7P 1A1

☎ 888.842.5668

☎ 905.335.5523

✉ info@rpmrubberparts.com




uses. For off-highway, use  
80% of the load shown.



[Request for Quote](#)

[Contact Us](#)

 **USA**  
4392 Broadway  
Depew, NY 14043

 **Canada**  
2290 Industrial Street  
Burlington, Ontario  
L7P 1A1

 888.842.5668

 905.335.5523

 [info@rpmrubberparts.com](mailto:info@rpmrubberparts.com)



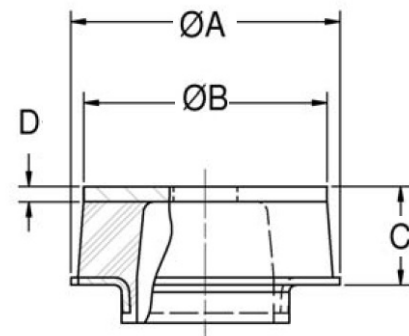
# J-7401-27 Two-Piece Mounts Ssb Series



Item # J-7401-27 Two-Piece Mounts Ssb Series  
Manufacturer: Lord Corporation

## Specifications (Continued)

Types	Mtg.
-------	------



Two-Piece Mounts are designed for applications involving severe dynamic forces in the static load direction, as well as the rebound direction. Travel is limited in both directions by rubber in compression which provides snubbing. These mounts are designed to support engines, cabs and accessory units, accommodate



[Request for Quote](#)

[Contact Us](#)

**USA**  
4392 Broadway  
Depew, NY 14043

**Canada**  
2290 Industrial Street  
Burlington, Ontario  
L7P 1A1

☎ 888.842.5668

☎ 905.335.5523

✉ [info@rpmrubberparts.com](mailto:info@rpmrubberparts.com)





uses. For off-highway, use  
80% of the load shown.



[Request for Quote](#)

[Contact Us](#)

 **USA**  
4392 Broadway  
Depew, NY 14043

 **Canada**  
2290 Industrial Street  
Burlington, Ontario  
L7P 1A1

 888.842.5668

 905.335.5523

 [info@rpmrubberparts.com](mailto:info@rpmrubberparts.com)

