

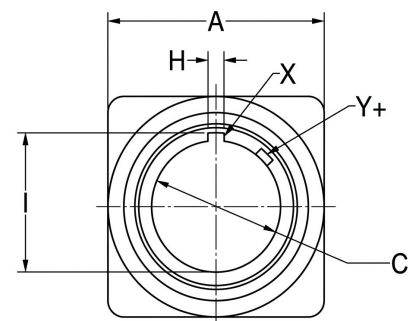
J-8203-1 Square Bonded Bushings



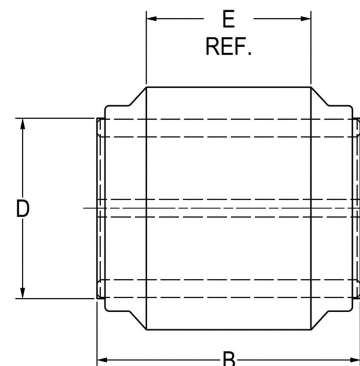
Item # J-8203-1 Square Bonded Bushings
Manufacturer: Parker Lord Corporation

Specifications

A (in)	2.38
B (in)	3.25
C (in)	1.379
D (in)	1.62
E (in)	2.15
F (in)	2.25
F (mm)	57.2
G (in)	3
G (mm)	76.2
I (in)	1.444
I (mm)	36.7
J (in)	0.09
J (mm)	2.3



+Y - KEY LOCATION 45° FROM VERTICAL



[Request for Quote](#)

[Contact Us](#)

USA
 4392 Broadway
 Depew, NY 14043

Canada
 2290 Industrial Street
 Burlington, Ontario
 L7P 1A1

888.842.5668

905.335.5523

info@rpmrubberparts.com



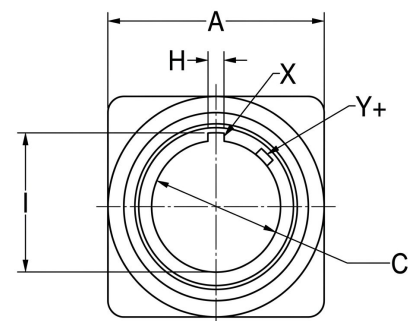
J-8203-1 Square Bonded Bushings



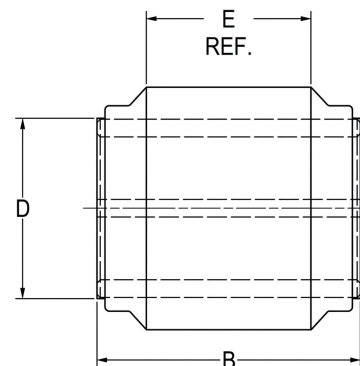
Item # J-8203-1 Square Bonded Bushings
Manufacturer: Parker Lord Corporation

Specifications (Continued)

Key Location	Y
Max Radial Static Load Rating (lbs)	1300
Max Radial Static Load Rating (kg)	5783
Spring Rate Radial K?R??? (lbs/in)	40000
Spring Rate Radial K?R??? (N/m)	7004
Static Torque (lb-ft)	1000
Static Torque (Nm)	1355



+Y - KEY LOCATION 45° FROM VERTICAL



[Request for Quote](#)

[Contact Us](#)

USA
 4392 Broadway
 Depew, NY 14043

Canada
 2290 Industrial Street
 Burlington, Ontario
 L7P 1A1

888.842.5668

905.335.5523

info@rpmrubberparts.com

