

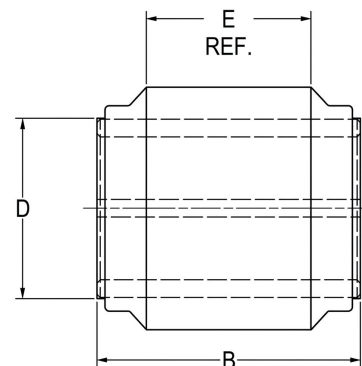
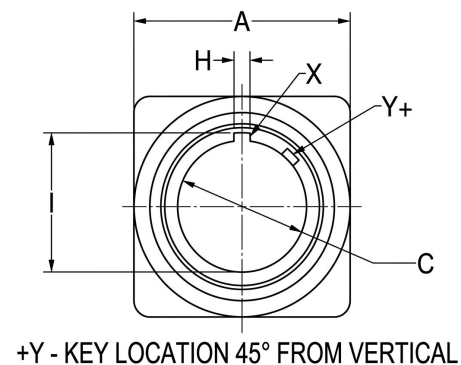
J-8203-31 Square Bonded Bushings



Item # J-8203-31 Square Bonded Bushings
Manufacturer: Parker Lord Corporation

Specifications

A (in)	2.38
B (in)	3.25
C (in)	1.379
D (in)	1.62
E (in)	2.15
F (in)	2.25
F (mm)	57.2
G (in)	3
G (mm)	76.2
I (in)	1.444
I (mm)	36.7
J (in)	0.09
J (mm)	2.3



[Request for Quote](#)

[Contact Us](#)

USA
 4392 Broadway
 Depew, NY 14043

Canada
 2290 Industrial Street
 Burlington, Ontario
 L7P 1A1

888.842.5668

905.335.5523

info@rpmrubberparts.com



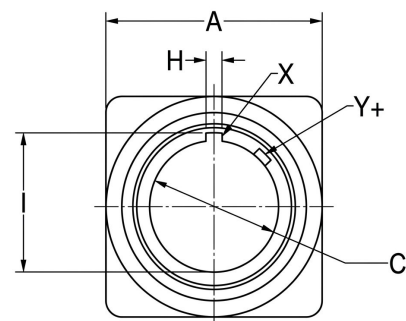
J-8203-31 Square Bonded Bushings



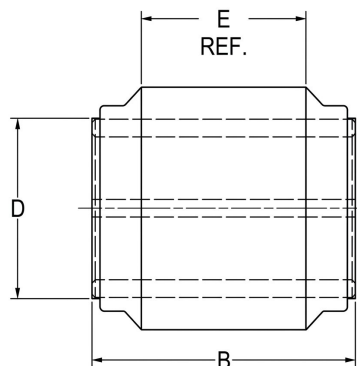
Item # J-8203-31 Square Bonded Bushings
Manufacturer: Parker Lord Corporation

Specifications (Continued)

Key Location	Y
Max Radial Static Load Rating (lbs)	1000
Max Radial Static Load Rating (kg)	4448
Spring Rate Radial K?R??? (lbs/in)	30000
Spring Rate Radial K?R??? (N/m)	5253
Static Torque (lb-ft)	750
Static Torque (Nm)	1016



+Y - KEY LOCATION 45° FROM VERTICAL



[Request for Quote](#)

[Contact Us](#)

USA
 4392 Broadway
 Depew, NY 14043

Canada
 2290 Industrial Street
 Burlington, Ontario
 L7P 1A1

888.842.5668

905.335.5523

info@rpmrubberparts.com

