

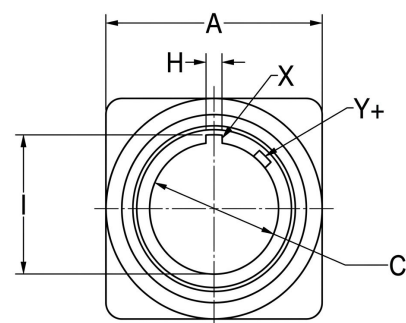
J-9832-11 Square Bonded Bushings



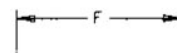
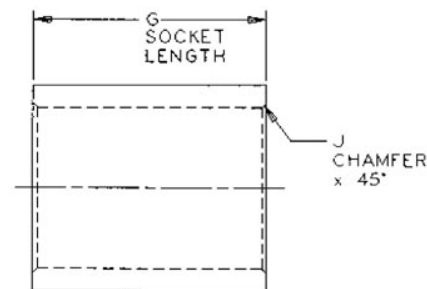
Item # J-9832-11 Square Bonded Bushings
 Manufacturer: Parker Lord Corporation

Specifications

A (in)	3.42
B (in)	4
C (in)	2.009
D (in)	2.53
E (in)	2.5
F (in)	3.25
F (mm)	82.6
G (in)	3.75
G (mm)	95.3
I (in)	2.128
I (mm)	54.1
J (in)	0.09
J (mm)	2.3



+Y - KEY LOCATION 45° FROM VERTICAL



[Request for Quote](#)

[Contact Us](#)

USA
 4392 Broadway
 Depew, NY 14043

Canada
 2290 Industrial Street
 Burlington, Ontario
 L7P 1A1

888.842.5668
 905.335.5523
info@rpmrubberparts.com



J-9832-11 Square Bonded Bushings

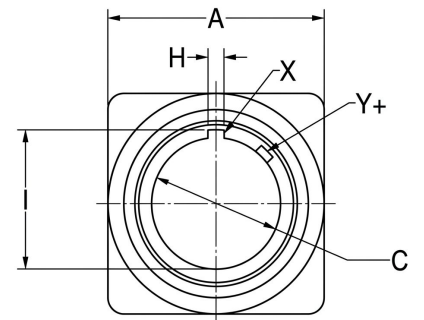


Item # J-9832-11 Square Bonded Bushings

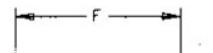
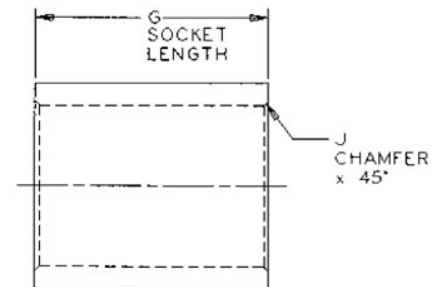
Manufacturer: Parker Lord Corporation

Specifications (Continued)

Key Location	X
Max Radial Static Load Rating (lbs)	5000
Max Radial Static Load Rating (kg)	22241
Spring Rate Radial K?R??? (lbs/in)	160000
Spring Rate Radial K?R??? (N/m)	28016
Static Torque (lb-ft)	5200
Static Torque (Nm)	7046



+Y - KEY LOCATION 45° FROM VERTICAL



[Request for Quote](#)

[Contact Us](#)

USA
4392 Broadway
Depew, NY 14043

Canada
2290 Industrial Street
Burlington, Ontario
L7P 1A1

888.842.5668

905.335.5523

info@rpmrubberparts.com

