

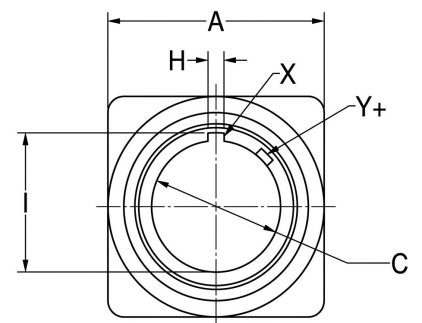
# J-9832-8 Square Bonded Bushings



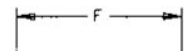
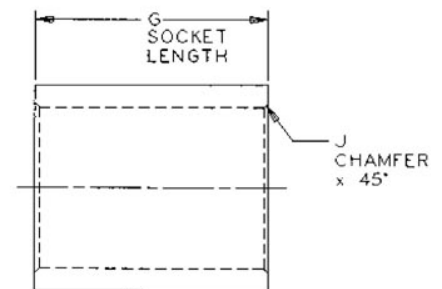
Item # J-9832-8 Square Bonded Bushings  
 Manufacturer: Parker Lord Corporation

## Specifications

A (in)	3.4
B (in)	4
C (in)	2.009
D (in)	2.53
E (in)	2.5
F (in)	3.25
F (mm)	82.6
G (in)	3.75
G (mm)	95.3
I (in)	2.128
I (mm)	54.1
J (in)	0.09
J (mm)	2.3



+Y - KEY LOCATION 45° FROM VERTICAL



[Request for Quote](#)

[Contact Us](#)

**USA**  
 4392 Broadway  
 Depew, NY 14043

**Canada**  
 2290 Industrial Street  
 Burlington, Ontario  
 L7P 1A1

888.842.5668  
 905.335.5523  
[info@rpmrubberparts.com](mailto:info@rpmrubberparts.com)



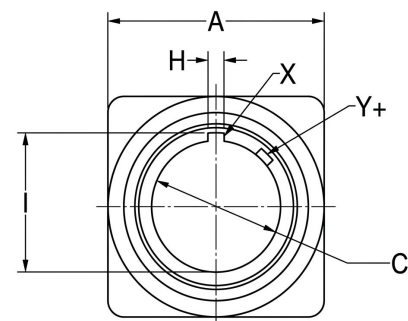
# J-9832-8 Square Bonded Bushings



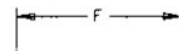
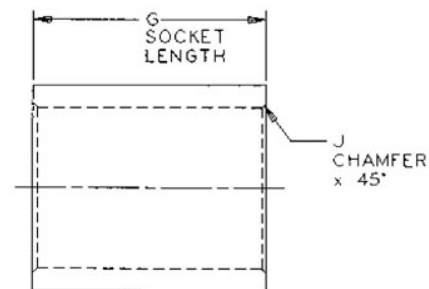
Item # J-9832-8 Square Bonded Bushings  
 Manufacturer: Parker Lord Corporation

## Specifications (Continued)

Key Location	X
Max Radial Static Load Rating (lbs)	2500
Max Radial Static Load Rating (kg)	11121
Spring Rate Radial K?R??? (lbs/in)	70000
Spring Rate Radial K?R??? (N/m)	12257
Static Torque (lb-ft)	2700
Static Torque (Nm)	3659



+Y - KEY LOCATION 45° FROM VERTICAL



[Request for Quote](#)

[Contact Us](#)

**USA**  
 4392 Broadway  
 Depew, NY 14043

**Canada**  
 2290 Industrial Street  
 Burlington, Ontario  
 L7P 1A1

888.842.5668

905.335.5523

info@rpmrubberparts.com

