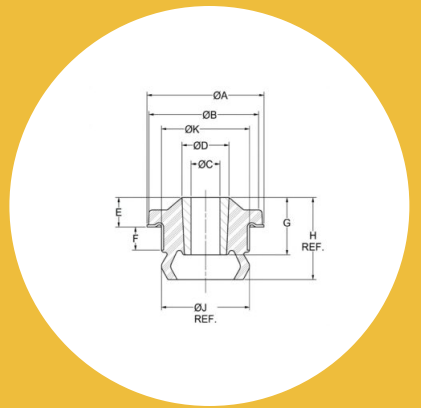


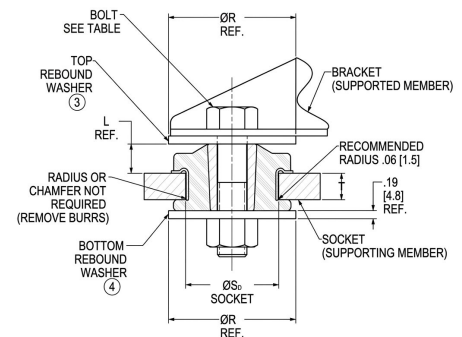
STA30-300-1 Center Bonded Mounts Sta Series



Item # STA30-300-1 Center Bonded Mounts Sta Series
 Manufacturer: Lord Corporation

Specifications

A (in)	3.12
Application Engineering Assistance	Frequently vibration isolation problems require a system engineering analysis. Lord has the computer capability as well as specialized programs for analyzing engine/transmission combinations.
Axial Static Spring Rate (lbs/in)	3700
Axial Static Spring Rate (Metric)	645
B (in)	3
C (in)	0.77
D (in)	1.25
E (in)	0.81
F (in)	0.63
F (mm)	16
Finish	Corrosion Resistant Coated Non Oil-Resistant



Center Bonded Mounts isolate vibration, control shock and reduce noise due to structure borne vibrations. Available in a full range of rated load capacities and able to withstand shock loads of 10 g's, these mounts effectively protect equipment and improve operator comfort. They are ideal for automotive, marine, railroad and industrial markets.

Center Bonded Mounts provide flexible suspension systems for mobile, transport-mounted or



[Request for Quote](#)

[Contact Us](#)

USA
 4392 Broadway
 Depew, NY 14043

Canada
 2290 Industrial Street
 Burlington, Ontario
 L7P 1A1

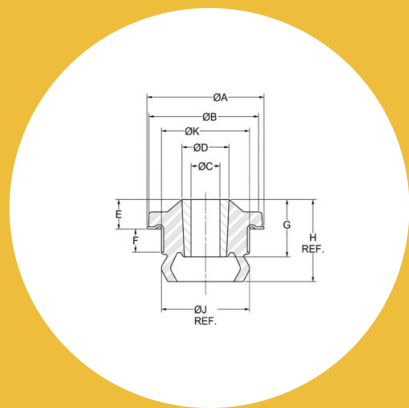
888.842.5668

905.335.5523

info@rpmrubberparts.com



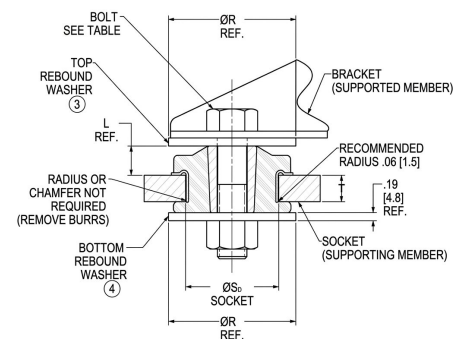
STA30-300-1 Center Bonded Mounts Sta Series



Item # STA30-300-1 Center Bonded Mounts Sta Series
 Manufacturer: Lord Corporation

Specifications (Continued)

J (in)	2.34
J (mm)	59.4
K (in)	2.345
K (mm)	59.4
Manufacturer	Parker LORD
Material	Low Carbon Steel Natural Rubber
Max Axial Load Rating (lbs)	300
Max Axial Load Rating (Metric)	1330
Max Axial Static Load at Deflection (Metric)	1330
R (in)	3.25
R (mm)	82.6
Radial Static Spring Rate (lbs/in)	4500
Radial Static Spring Rate (Metric)	788



Center Bonded Mounts isolate vibration, control shock and reduce noise due to structure borne vibrations. Available in a full range of rated load capacities and able to withstand shock loads of 10 g's, these mounts effectively protect equipment and improve operator comfort. They are ideal for automotive, marine, railroad and industrial markets.

Center Bonded Mounts provide flexible suspension systems for mobile, transport-mounted or



[Request for Quote](#)

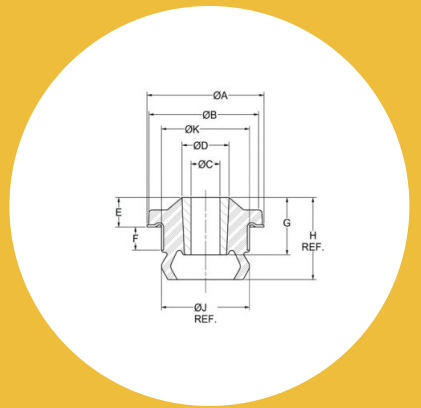
[Contact Us](#)

USA
 4392 Broadway
 Depew, NY 14043

Canada
 2290 Industrial Street
 Burlington, Ontario
 L7P 1A1

888.842.5668
 905.335.5523
info@rpmrubberparts.com [in](#) [f](#)

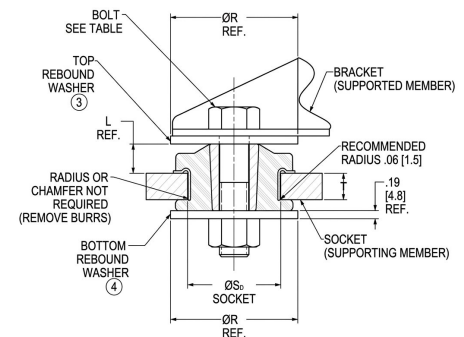
STA30-300-1 Center Bonded Mounts Sta Series



Item # STA30-300-1 Center Bonded Mounts Sta Series
Manufacturer: Lord Corporation

Specifications (Continued)

Recommended Bolt Grade or Class (SAE J1199)	10.9
Recommended Bolt Grade or Class (SAE J429)	8
Recommended Bolt Size (in)	3/4
Recommended Steel Washer	J-2049-54
SD (in)	2.38
SD (mm)	60.5
Series	STA
T (in)	0.62
T (mm)	15.7



Center Bonded Mounts isolate vibration, control shock and reduce noise due to structure borne vibrations. Available in a full range of rated load capacities and able to withstand shock loads of 10 g's, these mounts effectively protect equipment and improve operator comfort. They are ideal for automotive, marine, railroad and industrial markets.

Center Bonded Mounts provide flexible suspension systems for mobile, transport-mounted or



[Request for Quote](#)

[Contact Us](#)

USA
 4392 Broadway
 Depew, NY 14043

Canada
 2290 Industrial Street
 Burlington, Ontario
 L7P 1A1

☎ 888.842.5668

☎ 905.335.5523

✉ info@rpmrubberparts.com

