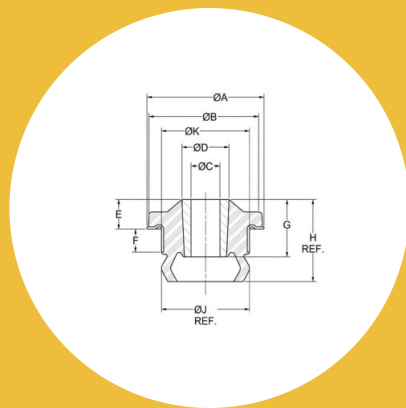


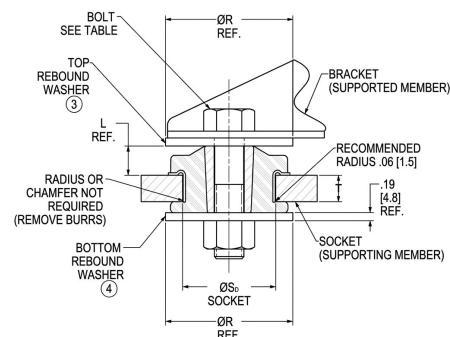
# STA36-700-1 Center Bonded Mounts Sta Series



Item # STA36-700-1 Center Bonded Mounts Sta Series  
 Manufacturer: Lord Corporation

## Specifications

A (in)	3.75
Application Engineering Assistance	Frequently vibration isolation problems require a system engineering analysis. Lord has the computer capability as well as specialized programs for analyzing engine/transmission combinations.
Axial Static Spring Rate (lbs/in)	7000
Axial Static Spring Rate (Metric)	1220
B (in)	3.62
C (in)	1.02
D (in)	1.5
E (in)	1.05
F (in)	0.72
F (mm)	18.3
Finish	Corrosion Resistant Coated Non Oil-Resistant



Center Bonded Mounts isolate vibration, control shock and reduce noise due to structure borne vibrations. Available in a full range of rated load capacities and able to withstand shock loads of 10 g's, these mounts effectively protect equipment and improve operator comfort. They are ideal for automotive, marine, railroad and industrial markets.

Center Bonded Mounts provide flexible suspension systems for mobile, transport-mounted or



[Request for Quote](#)

[Contact Us](#)

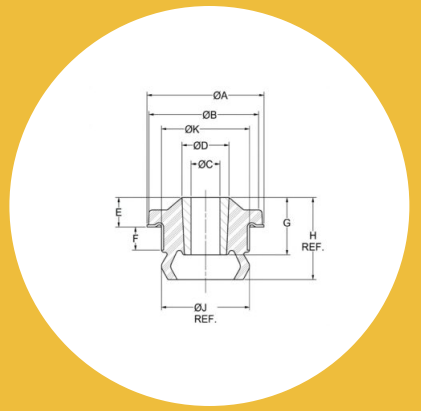
**USA**  
 4392 Broadway  
 Depew, NY 14043

**Canada**  
 2290 Industrial Street  
 Burlington, Ontario  
 L7P 1A1

888.842.5668  
 905.335.5523  
[info@rpmrubberparts.com](mailto:info@rpmrubberparts.com)



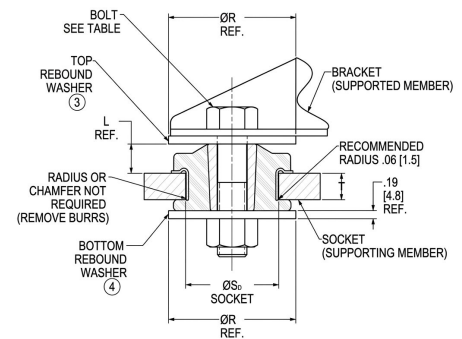
# STA36-700-1 Center Bonded Mounts Sta Series



Item # STA36-700-1 Center Bonded Mounts Sta Series  
 Manufacturer: Lord Corporation

## Specifications (Continued)

J (in)	2.47
J (mm)	62.7
K (in)	2.47
K (mm)	62.7
Manufacturer	Parker LORD
Material	Low Carbon Steel/Natural Rubber
Max Axial Load Rating (lbs)	700
Max Axial Load Rating (Metric)	3110
Max Axial Static Load at Deflection (Metric)	3110
R (in)	4
R (mm)	101.6
Radial Static Spring Rate (lbs/in)	20000
Radial Static Spring Rate (Metric)	3503



Center Bonded Mounts isolate vibration, control shock and reduce noise due to structure borne vibrations. Available in a full range of rated load capacities and able to withstand shock loads of 10 g's, these mounts effectively protect equipment and improve operator comfort. They are ideal for automotive, marine, railroad and industrial markets.

Center Bonded Mounts provide flexible suspension systems for mobile, transport-mounted or



[Request for Quote](#)

[Contact Us](#)

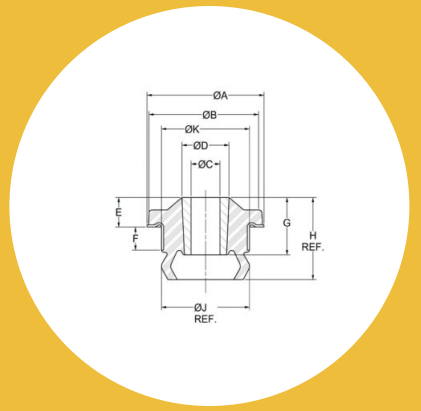
**USA**  
 4392 Broadway  
 Depew, NY 14043

**Canada**  
 2290 Industrial Street  
 Burlington, Ontario  
 L7P 1A1

888.842.5668  
 905.335.5523  
[info@rpmrubberparts.com](mailto:info@rpmrubberparts.com)



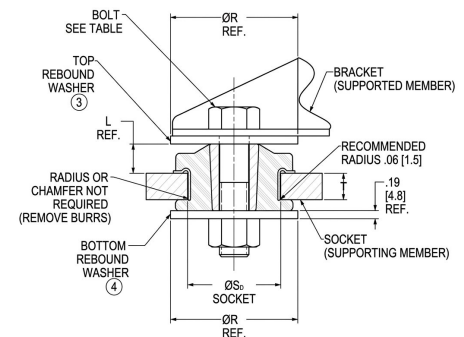
# STA36-700-1 Center Bonded Mounts Sta Series



**Item #** STA36-700-1 Center Bonded Mounts Sta Series  
**Manufacturer:** Lord Corporation

## Specifications (Continued)

Recommended Bolt Grade or Class (SAE J1199)	10.9
Recommended Bolt Grade or Class (SAE J429)	8
Recommended Bolt Size (in)	1
Recommended Steel Washer	J-2049-76
SD (in)	2.5
SD (mm)	63.5
Series	STA
T (in)	0.75
T (mm)	19.1



Center Bonded Mounts isolate vibration, control shock and reduce noise due to structure borne vibrations. Available in a full range of rated load capacities and able to withstand shock loads of 10 g's, these mounts effectively protect equipment and improve operator comfort. They are ideal for automotive, marine, railroad and industrial markets.

Center Bonded Mounts provide flexible suspension systems for mobile, transport-mounted or



[Request for Quote](#)

[Contact Us](#)

**USA**  
 4392 Broadway  
 Depew, NY 14043

**Canada**  
 2290 Industrial Street  
 Burlington, Ontario  
 L7P 1A1

☎ 888.842.5668

☎ 905.335.5523

✉ [info@rpmrubberparts.com](mailto:info@rpmrubberparts.com)

