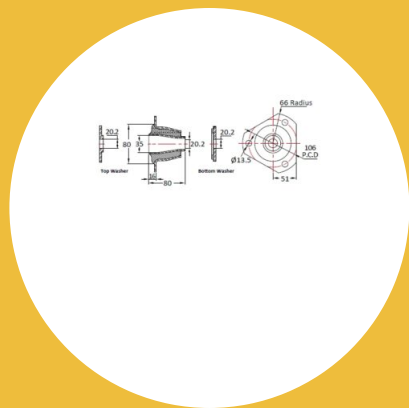


VKO-300-630 Conical Mount



Item # VKO-300-630 Conical Mount

Specifications

Manufacturer	RPM Mechanical Inc.
Holes	3
Hole Size (in)	0.54
Hole Size (mm)	13.5
Element Width (in)	2.96
Element Width (mm)	75
Height (in)	3.15
Height (mm)	80
Overall Width (in)	4.17
Overall Length (in)	4.17
CF (in)	4.17 PCD
CF (Metric)	106 PCD
Center Hole (in)	0.8



[Request for Quote](#)

[Contact Us](#)

USA
4392 Broadway
Depew, NY 14043

Canada
2290 Industrial Street
Burlington, Ontario
L7P 1A1

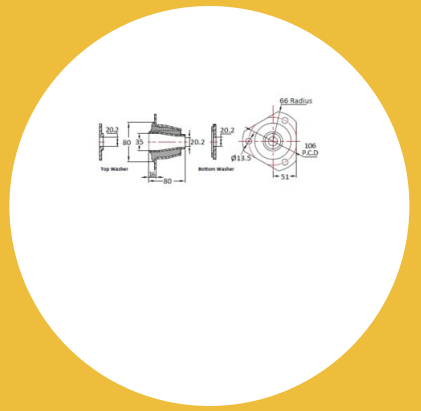
888.842.5668

905.335.5523

info@rpmrubberparts.com



VKO-300-630 Conical Mount



Item # VKO-300-630 Conical Mount

Specifications (Continued)

Center Hole (mm)	20.2
Durometer	50
Max Radial Static Load Rating (lbs)	1388.92
Max Radial Static Load Rating (kg)	630
Deflection at Rated Load (in)	0.24
Deflection at Rated Load (mm)	6



[Request for Quote](#)

[Contact Us](#)

USA
4392 Broadway
Depew, NY 14043

Canada
2290 Industrial Street
Burlington, Ontario
L7P 1A1

888.842.5668

905.335.5523

info@rpmrubberparts.com

