

VMB-0806L Sandwich Mounts Metric Thread Type 2

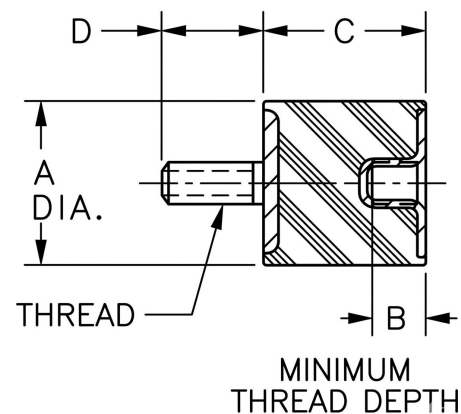
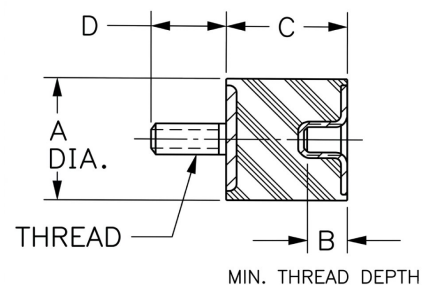


Item # VMB-0806L Sandwich Mounts Metric Thread Type 2

Manufacturer: RPM Mechanical Inc

Specifications

A (in)	0.31
B (in)	0.12
C (in)	0.24
Compression Spring Rate Kc (Imperial)	97
Compression Spring Rate Kc (Metric)	550
Compression Static Load (lbs)	31
Compression Static Load (Metric)	139
D (in)	0.24
Durometer	68
Elastomer	Natural Rubber
Grade per SAE J429	4.6
Manufacturer	RPM Mechanical Inc.
Shear Spring Rate Ks (lbs/in)	9



Request for Quote

Contact Us



USA

4392 Broadway
Depew, NY 14043



Canada

2290 Industrial Street
Burlington, Ontario
L7P 1A1



888.842.5668



905.335.5523



info@rpmrubberparts.com



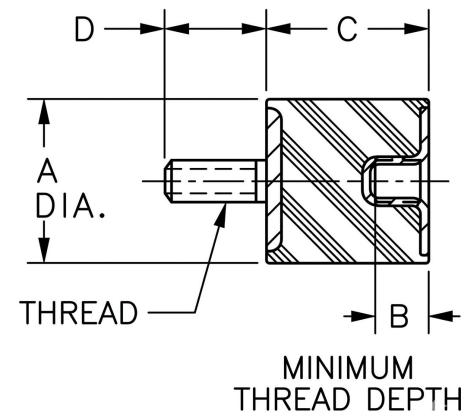
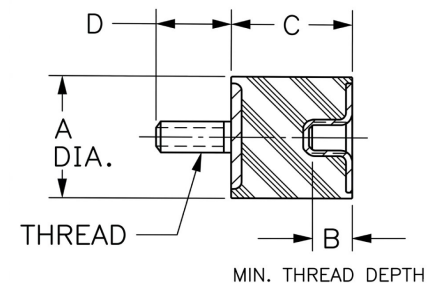
VMB-0806L Sandwich Mounts Metric Thread Type 2



Item # VMB-0806L Sandwich Mounts Metric Thread Type 2
Manufacturer: RPM Mechanical Inc

Specifications (Continued)

Shear Spring Rate Ks (Metric)	51
Shear Static Load (lbs)	10
Shear Static Load (Metric)	46
Thread Size	M3
Thread Type	Metric
Types	2



[Request for Quote](#)

[Contact Us](#)

USA
4392 Broadway
Depew, NY 14043

Canada
2290 Industrial Street
Burlington, Ontario
L7P 1A1

888.842.5668

905.335.5523

info@rpmrubberparts.com

