

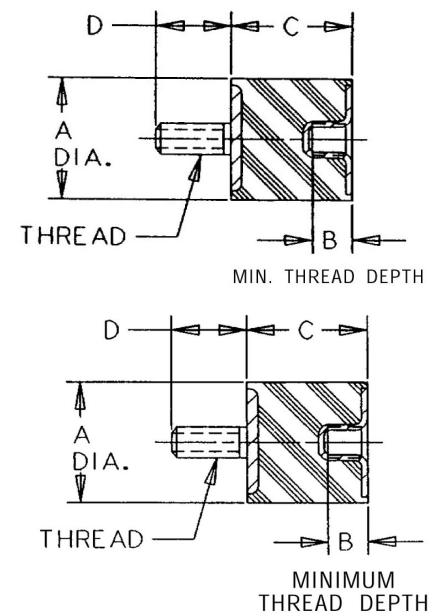
VMB-0808B Sandwich Mounts Metric Thread Type 2



Item # VMB-0808B Sandwich Mounts Metric Thread Type 2
Manufacturer: RPM Mechanical Inc

Specifications

A (in)	0.31
B (in)	0.12
C (in)	0.31
Compression Spring Rate Kc (Imperial)	14
Compression Spring Rate Kc (Metric)	79
Compression Static Load (lbs)	9.9
Compression Static Load (Metric)	44
D (in)	0.24
Durometer	57
Elastomer	Natural Rubber
Grade per SAE J429	4.6
Manufacturer	RPM Mechanical Inc.
Shear Spring Rate Ks (lbs/in)	2.5


[Request for Quote](#)
[Contact Us](#)

USA
4392 Broadway
Depew, NY 14043

Canada
2290 Industrial Street
Burlington, Ontario
L7P 1A1

888.842.5668

905.335.5523

info@rpmrubberparts.com



VMB-0808B Sandwich Mounts Metric Thread Type 2



Item # VMB-0808B Sandwich Mounts Metric Thread Type 2
Manufacturer: RPM Mechanical Inc

Specifications (Continued)

Shear Spring Rate Ks (Metric)	14
Shear Static Load (lbs)	3.3
Shear Static Load (Metric)	15
Thread Size	M3
Thread Type	Metric
Types	2



[Request for Quote](#)

[Contact Us](#)

USA
4392 Broadway
Depew, NY 14043

Canada
2290 Industrial Street
Burlington, Ontario
L7P 1A1

888.842.5668

905.335.5523

info@rpmrubberparts.com

