

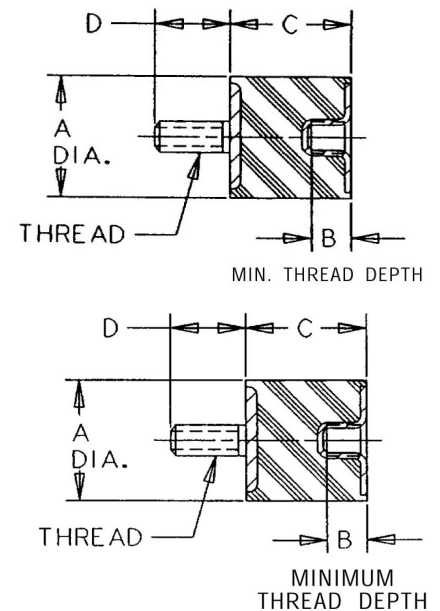
VMB-0912H Sandwich Mounts Metric Thread Type 2



Item # VMB-0912H Sandwich Mounts Metric Thread Type 2
Manufacturer: RPM Mechanical Inc

Specifications

A (in)	0.35
B (in)	0.16
C (in)	0.47
Compression Spring Rate Kc (Imperial)	3.3
Compression Spring Rate Kc (Metric)	19
Compression Static Load (lbs)	5
Compression Static Load (Metric)	22
D (in)	0.39
Durometer	43
Elastomer	Natural Rubber
Grade per SAE J429	4.6
Manufacturer	RPM Mechanical Inc.
Shear Spring Rate Ks (lbs/in)	0.8



[Request for Quote](#)

[Contact Us](#)

USA
4392 Broadway
Depew, NY 14043

Canada
2290 Industrial Street
Burlington, Ontario
L7P 1A1

888.842.5668

905.335.5523

info@rpmrubberparts.com



VMB-0912H Sandwich Mounts Metric Thread Type 2



Item # VMB-0912H Sandwich Mounts Metric Thread Type 2
Manufacturer: RPM Mechanical Inc

Specifications (Continued)

Shear Spring Rate Ks (Metric)	5
Shear Static Load (lbs)	1.7
Shear Static Load (Metric)	7
Thread Size	M4
Thread Type	Metric
Types	2



[Request for Quote](#)

[Contact Us](#)

USA
 4392 Broadway
 Depew, NY 14043

Canada
 2290 Industrial Street
 Burlington, Ontario
 L7P 1A1

☎ 888.842.5668

☎ 905.335.5523

✉ info@rpmrubberparts.com

