

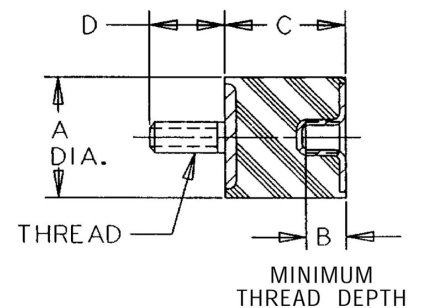
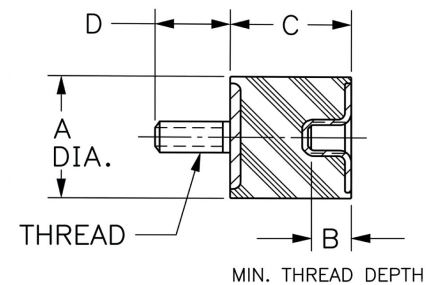
VMB-1010H Sandwich Mounts Metric Thread Type 2



Item # VMB-1010H Sandwich Mounts Metric Thread Type 2
Manufacturer: RPM Mechanical Inc

Specifications

A (in)	0.39
B (in)	0.16
C (in)	0.39
Compression Spring Rate Kc (Imperial)	8
Compression Spring Rate Kc (Metric)	45
Compression Static Load (lbs)	7.8
Compression Static Load (Metric)	35
D (in)	0.39
Durometer	43
Elastomer	Natural Rubber
Grade per SAE J429	4.6
Manufacturer	RPM Mechanical Inc.
Shear Spring Rate Ks (lbs/in)	1.5



[Request for Quote](#)

[Contact Us](#)

USA
4392 Broadway
Depew, NY 14043

Canada
2290 Industrial Street
Burlington, Ontario
L7P 1A1

888.842.5668

905.335.5523

info@rpmrubberparts.com



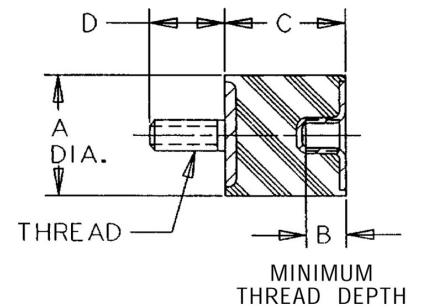
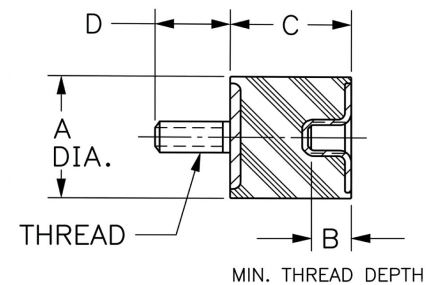
VMB-1010H Sandwich Mounts Metric Thread Type 2



Item # VMB-1010H Sandwich Mounts Metric Thread Type 2
Manufacturer: RPM Mechanical Inc

Specifications (Continued)

Shear Spring Rate Ks (Metric)	9
Shear Static Load (lbs)	2.6
Shear Static Load (Metric)	12
Thread Size	M4
Thread Type	Metric
Types	2



[Request for Quote](#)

[Contact Us](#)

USA
4392 Broadway
Depew, NY 14043

Canada
2290 Industrial Street
Burlington, Ontario
L7P 1A1

888.842.5668

905.335.5523

info@rpmrubberparts.com

