

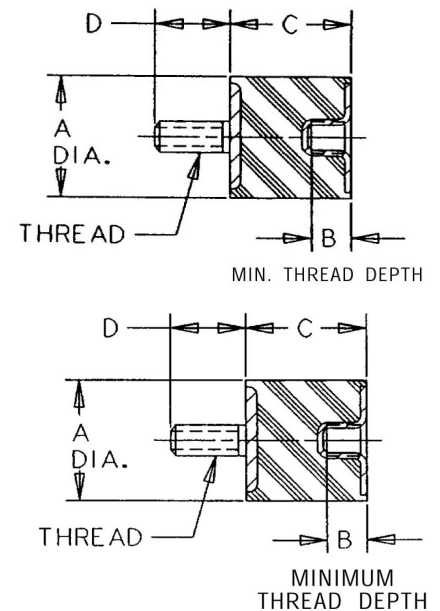
# VMB-1045H Sandwich Mounts Metric Thread Type 2



**Item #** VMB-1045H Sandwich Mounts Metric Thread Type 2  
**Manufacturer:** RPM Mechanical Inc

## Specifications

A (in)	4
B (in)	0.63
C (in)	1.77
Compression Spring Rate Kc (Imperial)	132
Compression Spring Rate Kc (Metric)	747
Compression Static Load (lbs)	952
Compression Static Load (Metric)	4234
D (in)	1.77
Durometer	43
Elastomer	Natural Rubber
Grade per SAE J429	4.6
Manufacturer	RPM Mechanical Inc.
Shear Spring Rate Ks (lbs/in)	21



[Request for Quote](#)

[Contact Us](#)

**USA**  
4392 Broadway  
Depew, NY 14043

**Canada**  
2290 Industrial Street  
Burlington, Ontario  
L7P 1A1

888.842.5668

905.335.5523

info@rpmrubberparts.com



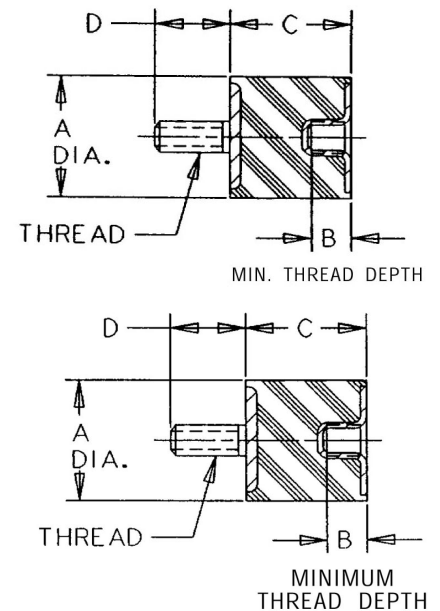
# VMB-1045H Sandwich Mounts Metric Thread Type 2



**Item #** VMB-1045H Sandwich Mounts Metric Thread Type 2  
**Manufacturer:** RPM Mechanical Inc

## Specifications (Continued)

Shear Spring Rate Ks (Metric)	119
Shear Static Load (lbs)	317
Shear Static Load (Metric)	1411
Thread Size	M16
Thread Type	Metric
Types	2



[Request for Quote](#)

[Contact Us](#)

**USA**  
4392 Broadway  
Depew, NY 14043

**Canada**  
2290 Industrial Street  
Burlington, Ontario  
L7P 1A1

888.842.5668

905.335.5523

[info@rpmrubberparts.com](mailto:info@rpmrubberparts.com)

