

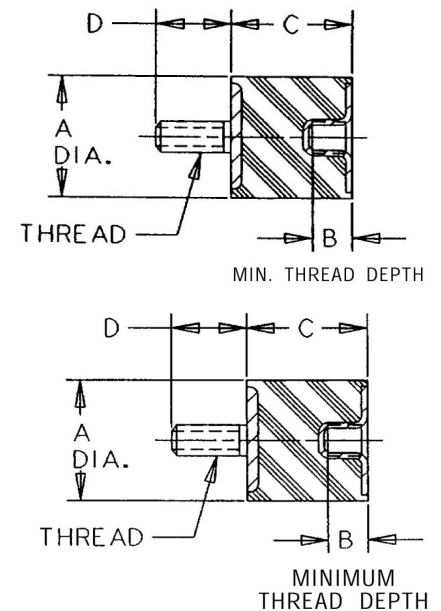
VMB-1050H Sandwich Mounts Metric Thread Type 2



Item # VMB-1050H Sandwich Mounts Metric Thread Type 2
Manufacturer: RPM Mechanical Inc

Specifications

A (in)	4
B (in)	0.63
C (in)	2
Compression Spring Rate Kc (Imperial)	132
Compression Spring Rate Kc (Metric)	747
Compression Static Load (lbs)	951
Compression Static Load (Metric)	4234
D (in)	1.77
Durometer	43
Elastomer	Natural Rubber
Grade per SAE J429	4.6
Manufacturer	RPM Mechanical Inc.
Shear Spring Rate Ks (lbs/in)	21



[Request for Quote](#)

[Contact Us](#)

USA
4392 Broadway
Depew, NY 14043

Canada
2290 Industrial Street
Burlington, Ontario
L7P 1A1

888.842.5668

905.335.5523

info@rpmrubberparts.com



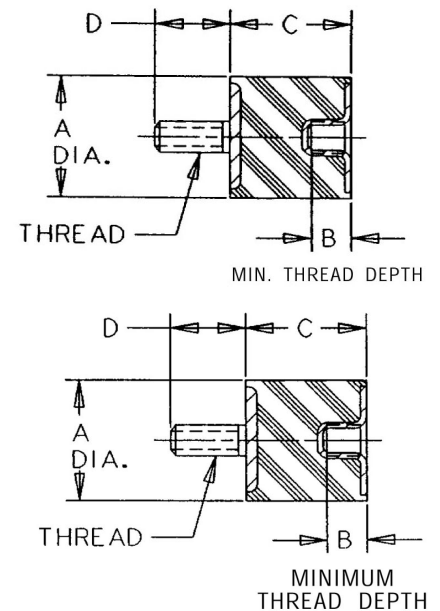
VMB-1050H Sandwich Mounts Metric Thread Type 2



Item # VMB-1050H Sandwich Mounts Metric Thread Type 2
Manufacturer: RPM Mechanical Inc

Specifications (Continued)

Shear Spring Rate Ks (Metric)	119
Shear Static Load (lbs)	317
Shear Static Load (Metric)	1411
Thread Size	M16
Thread Type	Metric
Types	2



[Request for Quote](#)

[Contact Us](#)

USA
4392 Broadway
Depew, NY 14043

Canada
2290 Industrial Street
Burlington, Ontario
L7P 1A1

888.842.5668

905.335.5523

info@rpmrubberparts.com

