

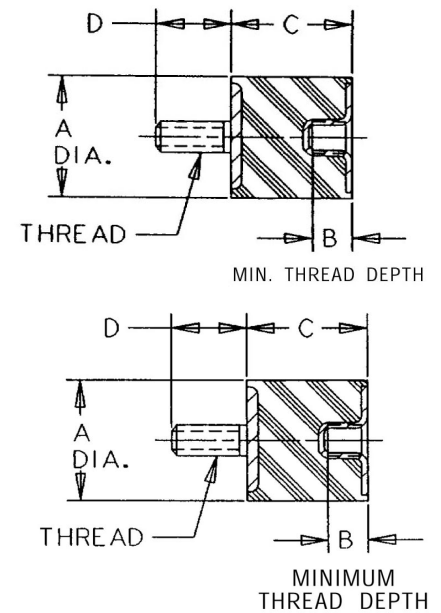
VMB-1060L Sandwich Mounts Metric Thread Type 2



Item # VMB-1060L Sandwich Mounts Metric Thread Type 2
Manufacturer: RPM Mechanical Inc

Specifications

A (in)	4
B (in)	0.63
C (in)	2.36
Compression Spring Rate Kc (Imperial)	268
Compression Spring Rate Kc (Metric)	1519
Compression Static Load (lbs)	2448
Compression Static Load (Metric)	10893
D (in)	1.77
Durometer	68
Elastomer	Natural Rubber
Grade per SAE J429	4.6
Manufacturer	RPM Mechanical Inc.
Shear Spring Rate Ks (lbs/in)	49



[Request for Quote](#)

[Contact Us](#)

USA
4392 Broadway
Depew, NY 14043

Canada
2290 Industrial Street
Burlington, Ontario
L7P 1A1

888.842.5668

905.335.5523

info@rpmrubberparts.com



VMB-1060L Sandwich Mounts Metric Thread Type 2



Item # VMB-1060L Sandwich Mounts Metric Thread Type 2
Manufacturer: RPM Mechanical Inc

Specifications (Continued)

Shear Spring Rate Ks (Metric)	282
Shear Static Load (lbs)	816
Shear Static Load (Metric)	3631
Thread Size	M16
Thread Type	Metric
Types	2



[Request for Quote](#)

[Contact Us](#)

USA
4392 Broadway
Depew, NY 14043

Canada
2290 Industrial Street
Burlington, Ontario
L7P 1A1

☎ 888.842.5668

☎ 905.335.5523

✉ info@rpmrubberparts.com

