

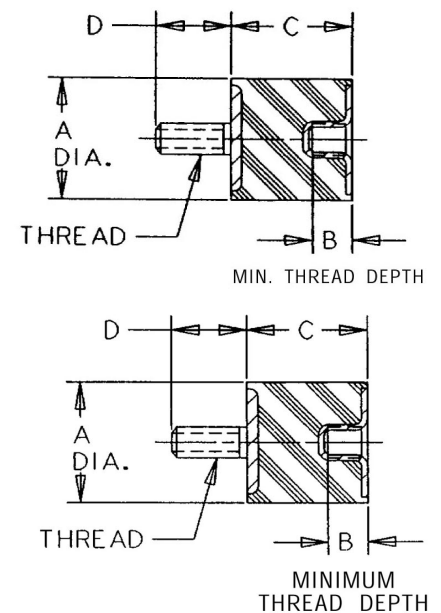
VMB-1315H Sandwich Mounts Metric Thread Type 2



Item # VMB-1315H Sandwich Mounts Metric Thread Type 2
Manufacturer: RPM Mechanical Inc

Specifications

| | |
|---------------------------------------|---------------------|
| A (in) | 0.51 |
| B (in) | 0.16 |
| C (in) | 0.59 |
| Compression Spring Rate Kc (Imperial) | 5.2 |
| Compression Spring Rate Kc (Metric) | 30 |
| Compression Static Load (lbs) | 10 |
| Compression Static Load (Metric) | 48 |
| D (in) | 0.39 |
| Durometer | 43 |
| Elastomer | Natural Rubber |
| Grade per SAE J429 | 4.6 |
| Manufacturer | RPM Mechanical Inc. |
| Shear Spring Rate Ks (lbs/in) | 1.3 |


[Request for Quote](#)
[Contact Us](#)

USA
4392 Broadway
Depew, NY 14043

Canada
2290 Industrial Street
Burlington, Ontario
L7P 1A1

888.842.5668

905.335.5523

info@rpmrubberparts.com

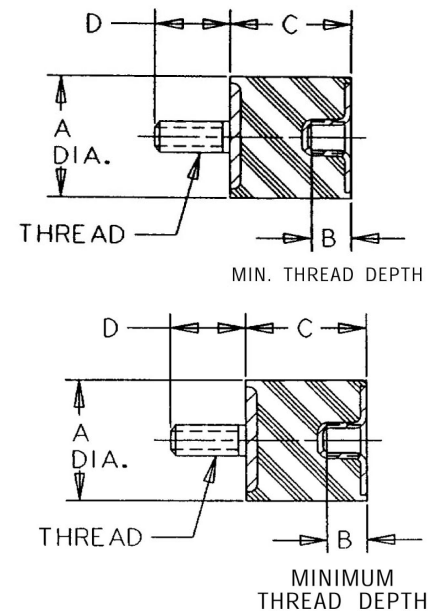
VMB-1315H Sandwich Mounts Metric Thread Type 2



Item # VMB-1315H Sandwich Mounts Metric Thread Type 2
Manufacturer: RPM Mechanical Inc

Specifications (Continued)

| | |
|-------------------------------|--------|
| Shear Spring Rate Ks (Metric) | 7 |
| Shear Static Load (lbs) | 3.6 |
| Shear Static Load (Metric) | 16 |
| Thread Size | M4 |
| Thread Type | Metric |
| Types | 2 |



[Request for Quote](#)

[Contact Us](#)

USA
4392 Broadway
Depew, NY 14043

Canada
2290 Industrial Street
Burlington, Ontario
L7P 1A1

☎ 888.842.5668

☎ 905.335.5523

✉ info@rpmrubberparts.com

