

# VMB-1515B Sandwich Mounts Metric Thread Type 2



**Item #** VMB-1515B Sandwich Mounts Metric Thread Type 2  
**Manufacturer:** RPM Mechanical Inc

## Specifications

A (in)	0.59
B (in)	0.16
C (in)	0.59
Compression Spring Rate Kc (Imperial)	20
Compression Spring Rate Kc (Metric)	118
Compression Static Load (lbs)	31
Compression Static Load (Metric)	142
D (in)	0.51
Durometer	57
Elastomer	Natural Rubber
Grade per SAE J429	4.6
Manufacturer	RPM Mechanical Inc.
Shear Spring Rate Ks (lbs/in)	4.1


[Request for Quote](#)
[Contact Us](#)

**USA**  
4392 Broadway  
Depew, NY 14043

**Canada**  
2290 Industrial Street  
Burlington, Ontario  
L7P 1A1

888.842.5668

905.335.5523

[info@rpmrubberparts.com](mailto:info@rpmrubberparts.com)

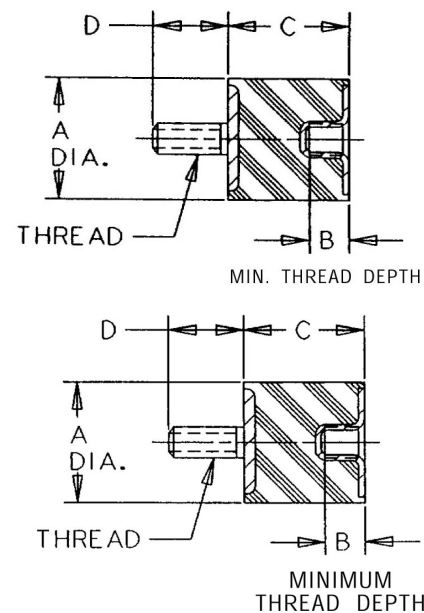
# VMB-1515B Sandwich Mounts Metric Thread Type 2



**Item #** VMB-1515B Sandwich Mounts Metric Thread Type 2  
**Manufacturer:** RPM Mechanical Inc

## Specifications (Continued)

Shear Spring Rate Ks (Metric)	23
Shear Static Load (lbs)	10
Shear Static Load (Metric)	47
Thread Size	M4
Thread Type	Metric
Types	2



[Request for Quote](#)

[Contact Us](#)

**USA**  
4392 Broadway  
Depew, NY 14043

**Canada**  
2290 Industrial Street  
Burlington, Ontario  
L7P 1A1

888.842.5668  
905.335.5523  
info@rpmrubberparts.com [in](#) [f](#)