

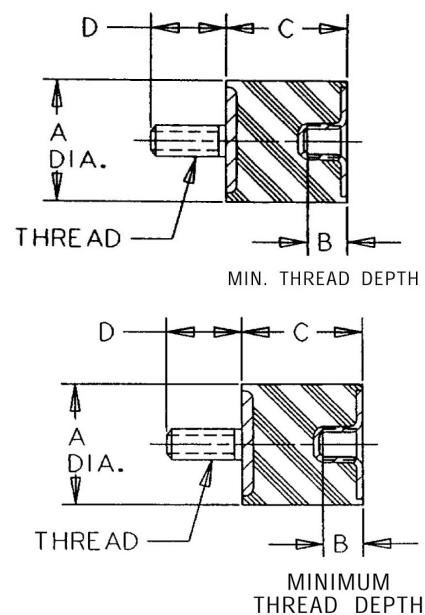
VMB-1540L Sandwich Mounts Metric Thread Type 2



Item # VMB-1540L Sandwich Mounts Metric Thread Type 2
Manufacturer: RPM Mechanical Inc

Specifications

A (in)	0.59
B (in)	0.16
C (in)	1.57
Compression Spring Rate Kc (Imperial)	5.5
Compression Spring Rate Kc (Metric)	31
Compression Static Load (lbs)	34
Compression Static Load (Metric)	154
D (in)	0.51
Durometer	68
Elastomer	Natural Rubber
Grade per SAE J429	4.6
Manufacturer	RPM Mechanical Inc.
Shear Spring Rate Ks (lbs/in)	1.6


[Request for Quote](#)
[Contact Us](#)


USA

4392 Broadway
Depew, NY 14043



Canada

2290 Industrial Street
Burlington, Ontario
L7P 1A1



888.842.5668



905.335.5523



info@rpmrubberparts.com



VMB-1540L Sandwich Mounts Metric Thread Type 2



Item # VMB-1540L Sandwich Mounts Metric Thread Type 2
Manufacturer: RPM Mechanical Inc

Specifications (Continued)

Shear Spring Rate Ks (Metric)	9
Shear Static Load (lbs)	11
Shear Static Load (Metric)	51
Thread Size	M4
Thread Type	Metric
Types	2



[Request for Quote](#)

[Contact Us](#)

USA
 4392 Broadway
 Depew, NY 14043

Canada
 2290 Industrial Street
 Burlington, Ontario
 L7P 1A1

☎ 888.842.5668
 ☎ 905.335.5523
 ✉ info@rpmrubberparts.com

