

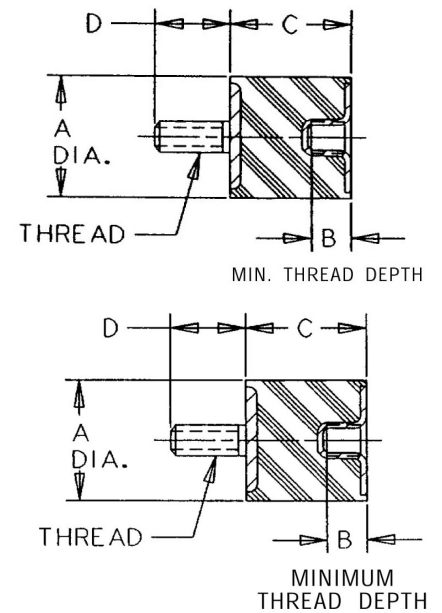
VMB-2025H Sandwich Mounts Metric Thread Type 2



Item # VMB-2025H Sandwich Mounts Metric Thread Type 2
Manufacturer: RPM Mechanical Inc

Specifications

A (in)	0.79
B (in)	0.24
C (in)	1
Compression Spring Rate Kc (Imperial)	7.7
Compression Spring Rate Kc (Metric)	44
Compression Static Load (lbs)	25
Compression Static Load (Metric)	111
D (in)	0.63
Durometer	43
Elastomer	Natural Rubber
Grade per SAE J429	4.6
Manufacturer	RPM Mechanical Inc.
Shear Spring Rate Ks (lbs/in)	1.9



[Request for Quote](#)

[Contact Us](#)

USA
 4392 Broadway
 Depew, NY 14043

Canada
 2290 Industrial Street
 Burlington, Ontario
 L7P 1A1

888.842.5668
 905.335.5523
info@rpmrubberparts.com



VMB-2025H Sandwich Mounts Metric Thread Type 2



Item # VMB-2025H Sandwich Mounts Metric Thread Type 2
Manufacturer: RPM Mechanical Inc

Specifications (Continued)

Shear Spring Rate Ks (Metric)	11
Shear Static Load (lbs)	8.4
Shear Static Load (Metric)	37
Thread Size	M6
Thread Type	Metric
Types	2



[Request for Quote](#)

[Contact Us](#)

USA
 4392 Broadway
 Depew, NY 14043

Canada
 2290 Industrial Street
 Burlington, Ontario
 L7P 1A1

☎ 888.842.5668

☎ 905.335.5523

✉ info@rpmrubberparts.com

