

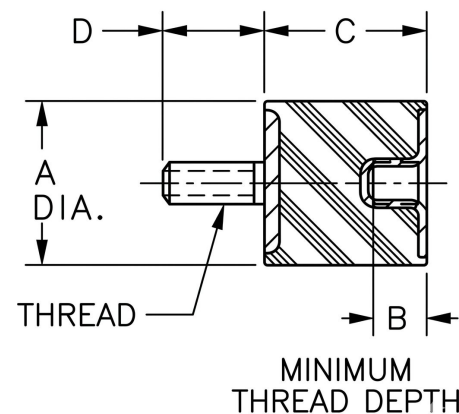
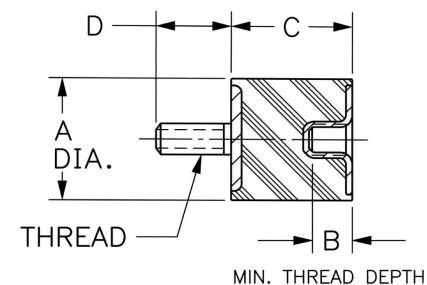
VMB-2535B Sandwich Mounts Metric Thread Type 2



Item # VMB-2535B Sandwich Mounts Metric Thread Type 2
Manufacturer: RPM Mechanical Inc

Specifications

A (in)	1
B (in)	0.24
C (in)	1.38
Compression Spring Rate Kc (Imperial)	11
Compression Spring Rate Kc (Metric)	67
Compression Static Load (lbs)	66
Compression Static Load (Metric)	294
D (in)	0.71
Durometer	57
Elastomer	Natural Rubber
Grade per SAE J429	4.6
Manufacturer	RPM Mechanical Inc.
Shear Spring Rate Ks (lbs/in)	3.1



[Request for Quote](#)

[Contact Us](#)

USA
4392 Broadway
Depew, NY 14043

Canada
2290 Industrial Street
Burlington, Ontario
L7P 1A1

888.842.5668

905.335.5523

info@rpmrubberparts.com



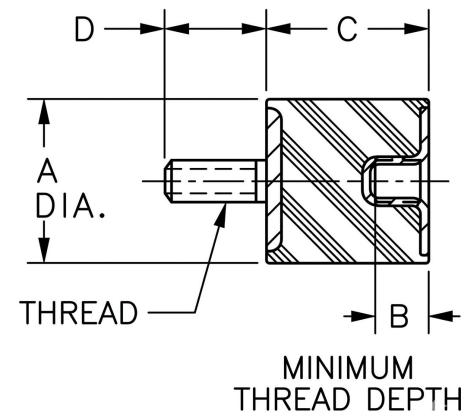
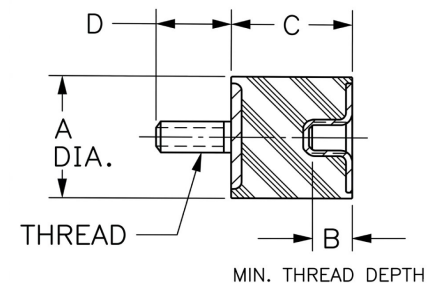
VMB-2535B Sandwich Mounts Metric Thread Type 2



Item # VMB-2535B Sandwich Mounts Metric Thread Type 2
Manufacturer: RPM Mechanical Inc

Specifications (Continued)

Shear Spring Rate Ks (Metric)	18
Shear Static Load (lbs)	22
Shear Static Load (Metric)	98
Thread Size	M6
Thread Type	Metric
Types	2



[Request for Quote](#)

[Contact Us](#)

USA
4392 Broadway
Depew, NY 14043

Canada
2290 Industrial Street
Burlington, Ontario
L7P 1A1

888.842.5668

905.335.5523

info@rpmrubberparts.com

