

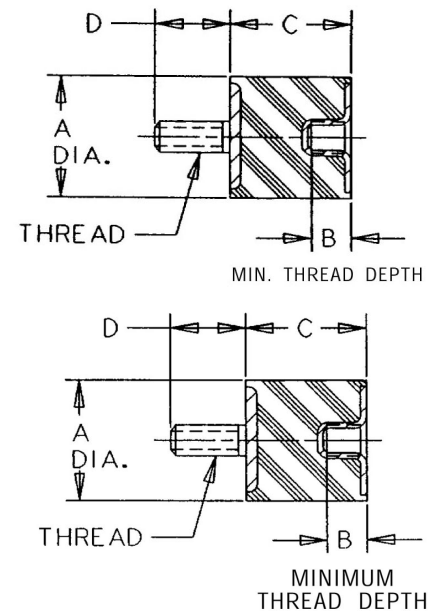
VMB-3025B Sandwich Mounts Metric Thread Type 2



Item # VMB-3025B Sandwich Mounts Metric Thread Type 2
Manufacturer: RPM Mechanical Inc

Specifications

A (in)	1.18
B (in)	0.31
C (in)	1
Compression Spring Rate Kc (Imperial)	34
Compression Spring Rate Kc (Metric)	195
Compression Static Load (lbs)	119
Compression Static Load (Metric)	532
D (in)	0.79
Durometer	57
Elastomer	Natural Rubber
Grade per SAE J429	4.6
Manufacturer	RPM Mechanical Inc.
Shear Spring Rate Ks (lbs/in)	7.3



[Request for Quote](#)

[Contact Us](#)

USA
4392 Broadway
Depew, NY 14043

Canada
2290 Industrial Street
Burlington, Ontario
L7P 1A1

888.842.5668

905.335.5523

info@rpmrubberparts.com



VMB-3025B Sandwich Mounts Metric Thread Type 2



Item # VMB-3025B Sandwich Mounts Metric Thread Type 2
Manufacturer: RPM Mechanical Inc

Specifications (Continued)

Shear Spring Rate Ks (Metric)	41
Shear Static Load (lbs)	39
Shear Static Load (Metric)	177
Thread Size	M8
Thread Type	Metric
Types	2



[Request for Quote](#)

[Contact Us](#)

USA
 4392 Broadway
 Depew, NY 14043

Canada
 2290 Industrial Street
 Burlington, Ontario
 L7P 1A1

888.842.5668

905.335.5523

info@rpmrubberparts.com

