

VMB-4020L Sandwich Mounts Metric Thread Type 2



Item # VMB-4020L Sandwich Mounts Metric Thread Type 2
Manufacturer: RPM Mechanical Inc

Specifications

A (in)	1.57
B (in)	0.31
C (in)	0.79
Compression Spring Rate Kc (Imperial)	193
Compression Spring Rate Kc (Metric)	1095
Compression Static Load (lbs)	1391
Compression Static Load (Metric)	2220
D (in)	0.91
Durometer	68
Elastomer	Natural Rubber
Grade per SAE J429	4.6
Manufacturer	RPM Mechanical Inc.
Shear Spring Rate Ks (lbs/in)	470


[Request for Quote](#)
[Contact Us](#)

USA
4392 Broadway
Depew, NY 14043

Canada
2290 Industrial Street
Burlington, Ontario
L7P 1A1

888.842.5668

905.335.5523

info@rpmrubberparts.com



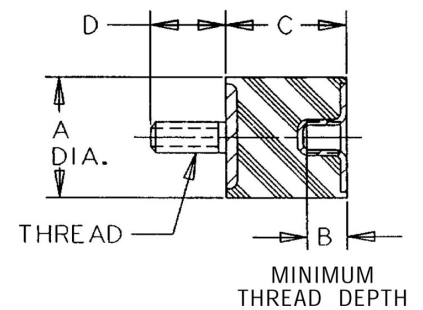
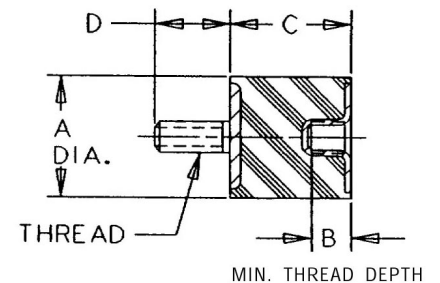
VMB-4020L Sandwich Mounts Metric Thread Type 2



Item # VMB-4020L Sandwich Mounts Metric Thread Type 2
 Manufacturer: RPM Mechanical Inc

Specifications (Continued)

Shear Spring Rate Ks (Metric)	82
Shear Static Load (lbs)	166
Thread Size	M8
Thread Type	Metric
Types	2



[Request for Quote](#)

[Contact Us](#)

USA
 4392 Broadway
 Depew, NY 14043

Canada
 2290 Industrial Street
 Burlington, Ontario
 L7P 1A1

888.842.5668

905.335.5523

info@rpmrubberparts.com

