

VMB-4050L Sandwich Mounts Metric Thread Type 2



Item # VMB-4050L Sandwich Mounts Metric Thread Type 2
Manufacturer: RPM Mechanical Inc

Specifications

A (in)	1.57
B (in)	0.31
C (in)	2
Compression Spring Rate Kc (Imperial)	33
Compression Spring Rate Kc (Metric)	191
Compression Static Load (lbs)	279
Compression Static Load (Metric)	1244
D (in)	0.91
Durometer	68
Elastomer	Natural Rubber
Grade per SAE J429	4.6
Manufacturer	RPM Mechanical Inc.
Shear Spring Rate Ks (lbs/in)	8.8


[Request for Quote](#)
[Contact Us](#)

USA
4392 Broadway
Depew, NY 14043

Canada
2290 Industrial Street
Burlington, Ontario
L7P 1A1

888.842.5668

905.335.5523

info@rpmrubberparts.com



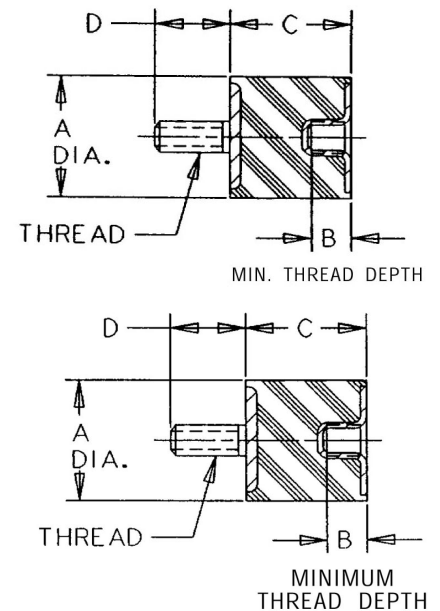
VMB-4050L Sandwich Mounts Metric Thread Type 2



Item # VMB-4050L Sandwich Mounts Metric Thread Type 2
Manufacturer: RPM Mechanical Inc

Specifications (Continued)

Shear Spring Rate Ks (Metric)	50
Shear Static Load (lbs)	93
Shear Static Load (Metric)	415
Thread Size	M8
Thread Type	Metric
Types	2



[Request for Quote](#)

[Contact Us](#)

USA
4392 Broadway
Depew, NY 14043

Canada
2290 Industrial Street
Burlington, Ontario
L7P 1A1

888.842.5668

905.335.5523

info@rpmrubberparts.com

