

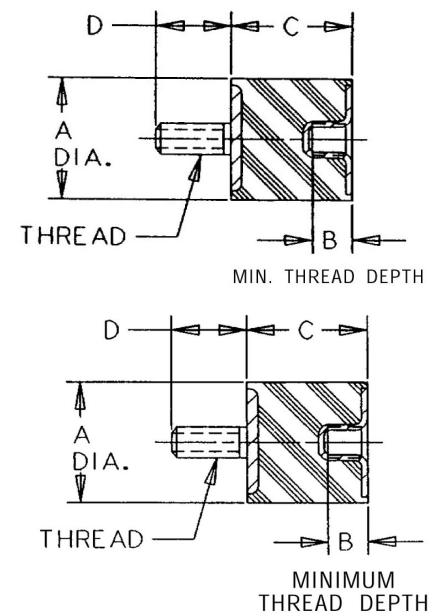
# VMB-5020H Sandwich Mounts Metric Thread Type 2



**Item #** VMB-5020H Sandwich Mounts Metric Thread Type 2  
**Manufacturer:** RPM Mechanical Inc

## Specifications

A (in)	2
B (in)	0.39
C (in)	0.78
Compression Spring Rate Kc (Imperial)	224
Compression Spring Rate Kc (Metric)	1271
Compression Static Load (lbs)	430
Compression Static Load (Metric)	1914
D (in)	1.1
Durometer	43
Elastomer	Natural Rubber
Grade per SAE J429	4.6
Manufacturer	RPM Mechanical Inc.
Shear Spring Rate Ks (lbs/in)	19


[Request for Quote](#)
[Contact Us](#)

**USA**  
4392 Broadway  
Depew, NY 14043

**Canada**  
2290 Industrial Street  
Burlington, Ontario  
L7P 1A1

888.842.5668

905.335.5523

[info@rpmrubberparts.com](mailto:info@rpmrubberparts.com)



# VMB-5020H Sandwich Mounts Metric Thread Type 2



Item # VMB-5020H Sandwich Mounts Metric Thread Type 2  
 Manufacturer: RPM Mechanical Inc

## Specifications (Continued)

Shear Spring Rate Ks (Metric)	112
Shear Static Load (lbs)	143
Shear Static Load (Metric)	638
Thread Size	M10
Thread Type	Metric
Types	2



[Request for Quote](#)

[Contact Us](#)

**USA**  
 4392 Broadway  
 Depew, NY 14043

**Canada**  
 2290 Industrial Street  
 Burlington, Ontario  
 L7P 1A1

☎ 888.842.5668

☎ 905.335.5523

✉ [info@rpmrubberparts.com](mailto:info@rpmrubberparts.com)

