

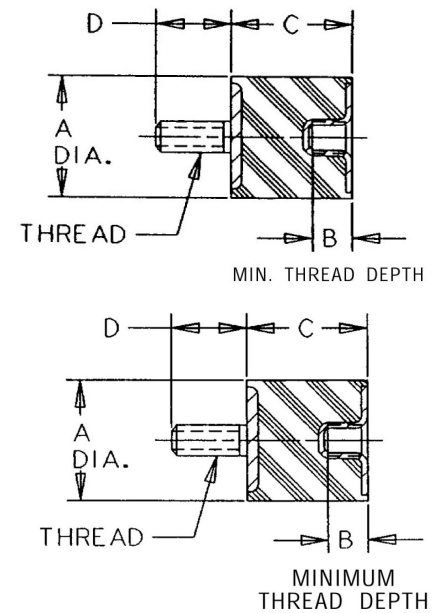
VMB-5050B Sandwich Mounts Metric Thread Type 2



Item # VMB-5050B Sandwich Mounts Metric Thread Type 2
Manufacturer: RPM Mechanical Inc

Specifications

A (in)	2
B (in)	0.39
C (in)	2
Compression Spring Rate Kc (Imperial)	39
Compression Spring Rate Kc (Metric)	219
Compression Static Load (lbs)	296
Compression Static Load (Metric)	1317
D (in)	1.1
Durometer	57
Elastomer	Natural Rubber
Grade per SAE J429	4.6
Manufacturer	RPM Mechanical Inc.
Shear Spring Rate Ks (lbs/in)	9.2



[Request for Quote](#)

[Contact Us](#)

USA
4392 Broadway
Depew, NY 14043

Canada
2290 Industrial Street
Burlington, Ontario
L7P 1A1

888.842.5668

905.335.5523

info@rpmrubberparts.com



VMB-5050B Sandwich Mounts Metric Thread Type 2



Item # VMB-5050B Sandwich Mounts Metric Thread Type 2
Manufacturer: RPM Mechanical Inc

Specifications (Continued)

Shear Spring Rate Ks (Metric)	52
Shear Static Load (lbs)	98
Shear Static Load (Metric)	439
Thread Size	M10
Thread Type	Metric
Types	2



[Request for Quote](#)

[Contact Us](#)

USA
 4392 Broadway
 Depew, NY 14043

Canada
 2290 Industrial Street
 Burlington, Ontario
 L7P 1A1

☎ 888.842.5668

☎ 905.335.5523

✉ info@rpmrubberparts.com

