

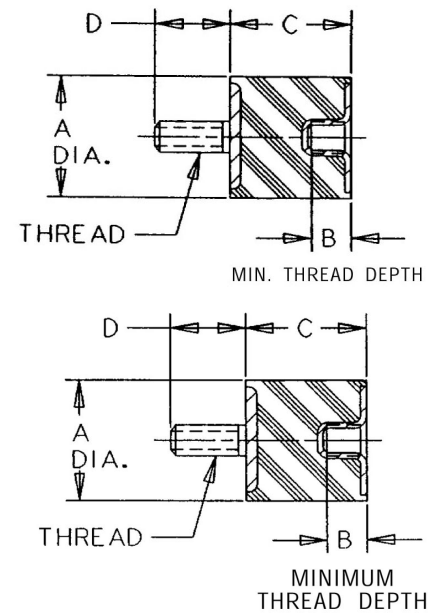
VMB-6035B Sandwich Mounts Metric Thread Type 2



Item # VMB-6035B Sandwich Mounts Metric Thread Type 2
Manufacturer: RPM Mechanical Inc

Specifications

A (in)	2.36
B (in)	0.39
C (in)	1.38
Compression Spring Rate Kc (Imperial)	118
Compression Spring Rate Kc (Metric)	671
Compression Static Load (lbs)	581
Compression Static Load (Metric)	2588
D (in)	1.06
Durometer	57
Elastomer	Natural Rubber
Grade per SAE J429	4.6
Manufacturer	RPM Mechanical Inc.
Shear Spring Rate Ks (lbs/in)	20



[Request for Quote](#)

[Contact Us](#)

USA
4392 Broadway
Depew, NY 14043

Canada
2290 Industrial Street
Burlington, Ontario
L7P 1A1

888.842.5668
905.335.5523
info@rpmrubberparts.com



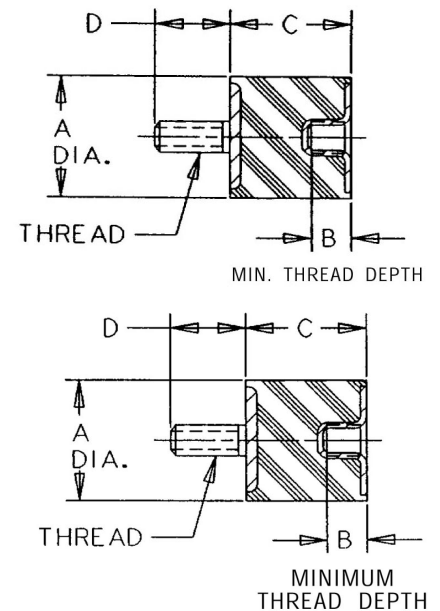
VMB-6035B Sandwich Mounts Metric Thread Type 2



Item # VMB-6035B Sandwich Mounts Metric Thread Type 2
Manufacturer: RPM Mechanical Inc

Specifications (Continued)

Shear Spring Rate Ks (Metric)	116
Shear Static Load (lbs)	193
Shear Static Load (Metric)	863
Thread Size	M10
Thread Type	Metric
Types	2



[Request for Quote](#)

[Contact Us](#)

USA
4392 Broadway
Depew, NY 14043

Canada
2290 Industrial Street
Burlington, Ontario
L7P 1A1

☎ 888.842.5668

☎ 905.335.5523

✉ info@rpmrubberparts.com

