

VMB-6050B Sandwich Mounts Metric Thread Type 2



Item # VMB-6050B Sandwich Mounts Metric Thread Type 2
Manufacturer: RPM Mechanical Inc

Specifications

A (in)	2.36
B (in)	0.39
C (in)	2
Compression Spring Rate Kc (Imperial)	58
Compression Spring Rate Kc (Metric)	331
Compression Static Load (lbs)	2274
Compression Static Load (Metric)	2023
D (in)	1.06
Durometer	57
Elastomer	Natural Rubber
Grade per SAE J429	4.6
Manufacturer	RPM Mechanical Inc.
Shear Spring Rate Ks (lbs/in)	13


[Request for Quote](#)
[Contact Us](#)

USA
4392 Broadway
Depew, NY 14043

Canada
2290 Industrial Street
Burlington, Ontario
L7P 1A1

888.842.5668

905.335.5523

info@rpmrubberparts.com

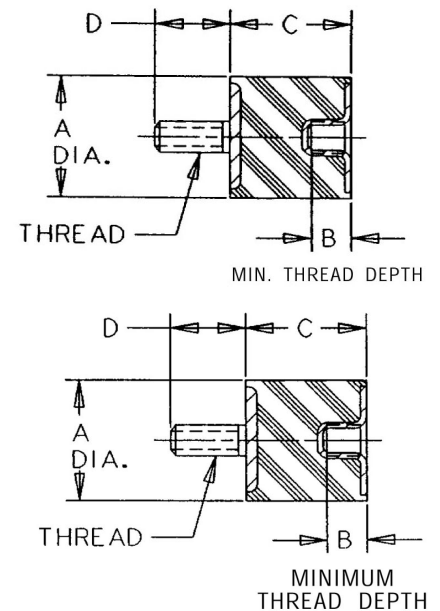
VMB-6050B Sandwich Mounts Metric Thread Type 2



Item # VMB-6050B Sandwich Mounts Metric Thread Type 2
Manufacturer: RPM Mechanical Inc

Specifications (Continued)

Shear Spring Rate Ks (Metric)	73
Shear Static Load (lbs)	151
Shear Static Load (Metric)	674
Thread Size	M10
Thread Type	Metric
Types	2



[Request for Quote](#)

[Contact Us](#)

USA
4392 Broadway
Depew, NY 14043

Canada
2290 Industrial Street
Burlington, Ontario
L7P 1A1

☎ 888.842.5668

☎ 905.335.5523

✉ info@rpmrubberparts.com

