

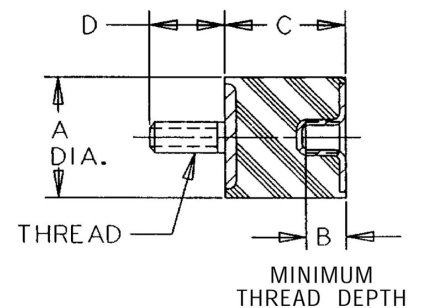
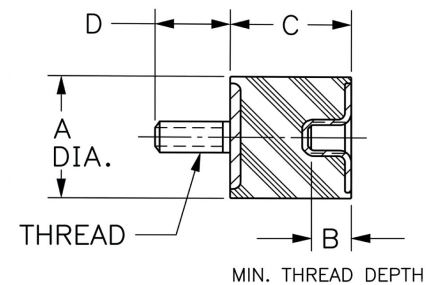
VMB-7560B Sandwich Mounts Metric Thread Type 2



Item # VMB-7560B Sandwich Mounts Metric Thread Type 2
Manufacturer: RPM Mechanical Inc

Specifications

A (in)	3
B (in)	0.47
C (in)	2.36
Compression Spring Rate Kc (Imperial)	74
Compression Spring Rate Kc (Metric)	419
Compression Static Load (lbs)	713
Compression Static Load (Metric)	3172
D (in)	1.46
Durometer	57
Elastomer	Natural Rubber
Grade per SAE J429	4.6
Manufacturer	RPM Mechanical Inc.
Shear Spring Rate Ks (lbs/in)	16



[Request for Quote](#)

[Contact Us](#)

USA
4392 Broadway
Depew, NY 14043

Canada
2290 Industrial Street
Burlington, Ontario
L7P 1A1

888.842.5668
905.335.5523
info@rpmrubberparts.com



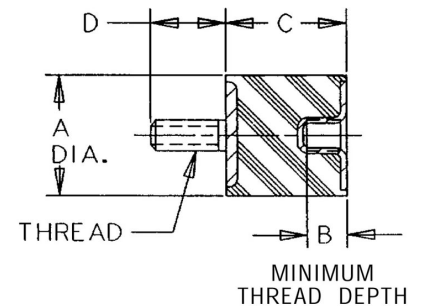
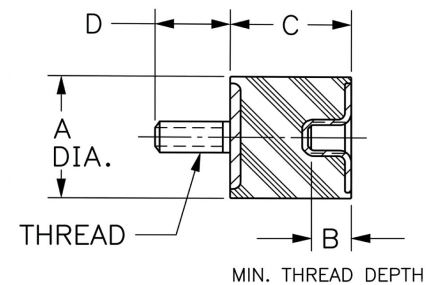
VMB-7560B Sandwich Mounts Metric Thread Type 2



Item # VMB-7560B Sandwich Mounts Metric Thread Type 2
Manufacturer: RPM Mechanical Inc

Specifications (Continued)

Shear Spring Rate Ks (Metric)	93
Shear Static Load (lbs)	238
Shear Static Load (Metric)	1057
Thread Size	M12
Thread Type	Metric
Types	2



[Request for Quote](#)

[Contact Us](#)

USA
4392 Broadway
Depew, NY 14043

Canada
2290 Industrial Street
Burlington, Ontario
L7P 1A1

888.842.5668
905.335.5523
info@rpmrubberparts.com

