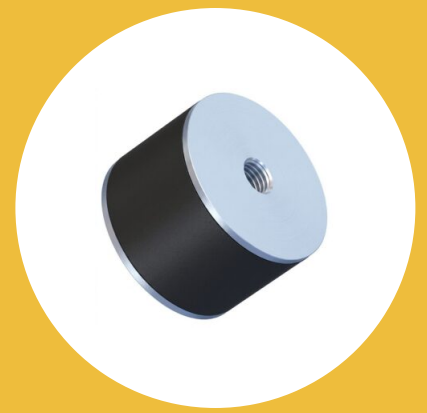


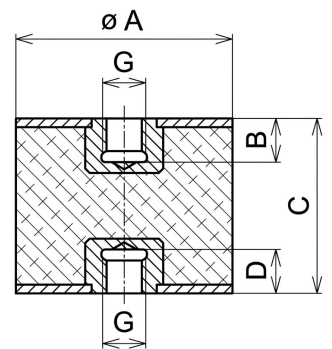
VMC-1060I Sandwich Mounts Metric Thread Type 4



Item # VMC-1060I Sandwich Mounts Metric Thread Type 4
Manufacturer: RPM Mechanical

Specifications

A (in)	4
B (in)	0.63
C (in)	2.35
Compression Spring Rate Kc (Imperial)	104
Compression Spring Rate Kc (Metric)	587
Compression Static Load (lbs)	863
Compression Static Load (Metric)	3838
D (in)	0.63
Durometer	43
Elastomer	Natural Rubber
Manufacturer	
Shear Spring Rate Ks (lbs/in)	18
Shear Spring Rate Ks (Metric)	103


[Request for Quote](#)
[Contact Us](#)

USA
4392 Broadway
Depew, NY 14043

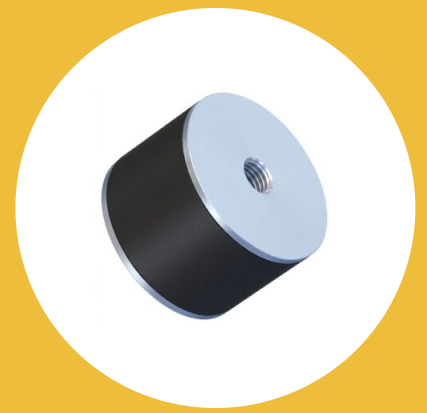
Canada
2290 Industrial Street
Burlington, Ontario
L7P 1A1

888.842.5668

905.335.5523

info@rpmrubberparts.com

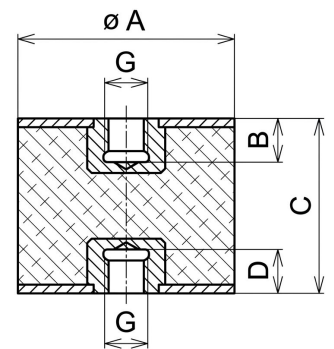
VMC-1060I Sandwich Mounts Metric Thread Type 4



Item # VMC-1060I Sandwich Mounts Metric Thread Type 4
Manufacturer: RPM Mechanical

Specifications (Continued)

Shear Static Load (lbs)	288
Shear Static Load (Metric)	1279
Thread Size	M16
Types	4



[Request for Quote](#)

[Contact Us](#)

USA
4392 Broadway
Depew, NY 14043

Canada
2290 Industrial Street
Burlington, Ontario
L7P 1A1

888.842.5668

905.335.5523

info@rpmrubberparts.com

