

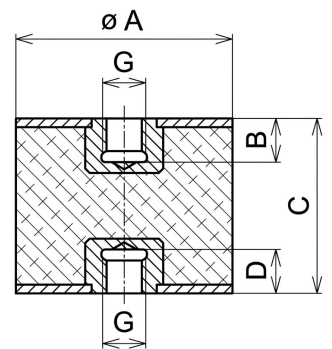
# VMC-1215M Sandwich Mounts Metric Thread Type 4



**Item #** VMC-1215M Sandwich Mounts Metric Thread Type 4  
**Manufacturer:** RPM Mechanical

## Specifications

A (in)	0.47
B (in)	0.16
C (in)	0.59
Compression Spring Rate Kc (Imperial)	18
Compression Spring Rate Kc (Metric)	102
Compression Static Load (lbs)	29
Compression Static Load (Metric)	129
D (in)	0.16
Durometer	68
Elastomer	Natural Rubber
Manufacturer	
Shear Spring Rate Ks (lbs/in)	4
Shear Spring Rate Ks (Metric)	23


[Request for Quote](#)
[Contact Us](#)

**USA**  
 4392 Broadway  
 Depew, NY 14043

**Canada**  
 2290 Industrial Street  
 Burlington, Ontario  
 L7P 1A1

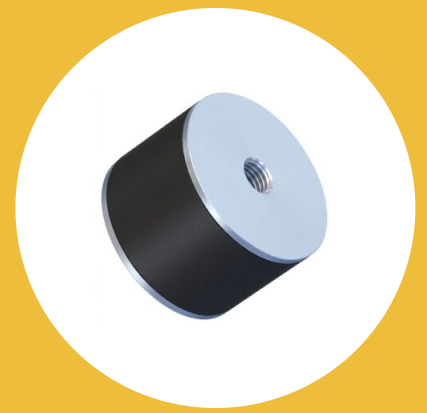
888.842.5668

905.335.5523

[info@rpmrubberparts.com](mailto:info@rpmrubberparts.com)



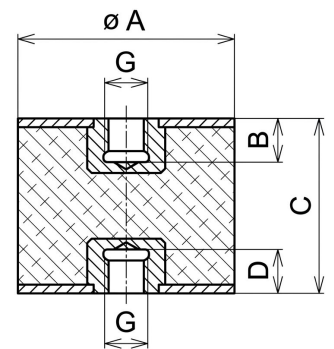
# VMC-1215M Sandwich Mounts Metric Thread Type 4



Item # VMC-1215M Sandwich Mounts Metric Thread Type 4  
Manufacturer: RPM Mechanical

## Specifications (Continued)

Shear Static Load (lbs)	10
Shear Static Load (Metric)	43
Thread Size	M4
Types	4



[Request for Quote](#)

[Contact Us](#)

**USA**  
4392 Broadway  
Depew, NY 14043

**Canada**  
2290 Industrial Street  
Burlington, Ontario  
L7P 1A1

888.842.5668

905.335.5523

[info@rpmrubberparts.com](mailto:info@rpmrubberparts.com)

