

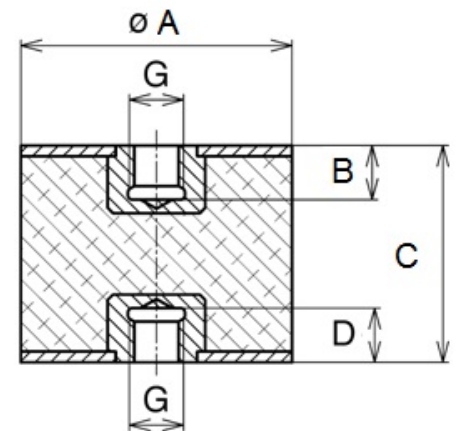
VMC-1525I Sandwich Mounts Metric Thread Type 4



Item # VMC-1525I Sandwich Mounts Metric Thread Type 4
 Manufacturer: RPM Mechanical

Specifications

A (in)	0.59
B (in)	0.16
C (in)	1
Compression Spring Rate Kc (Imperial)	5
Compression Spring Rate Kc (Metric)	26
Compression Static Load (lbs)	13
Compression Static Load (Metric)	60
D (in)	0.16
Durometer	43
Elastomer	Natural Rubber
Manufacturer	
Shear Spring Rate Ks (lbs/in)	1
Shear Spring Rate Ks (Metric)	7



[Request for Quote](#)

[Contact Us](#)

USA
 4392 Broadway
 Depew, NY 14043

Canada
 2290 Industrial Street
 Burlington, Ontario
 L7P 1A1

☎ 888.842.5668

☎ 905.335.5523

✉ info@rpmrubberparts.com



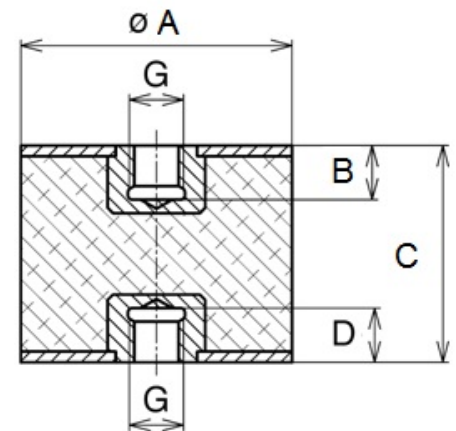
VMC-1525I Sandwich Mounts Metric Thread Type 4



Item # VMC-1525I Sandwich Mounts Metric Thread Type 4
Manufacturer: RPM Mechanical

Specifications (Continued)

Shear Static Load (lbs)	4
Shear Static Load (Metric)	20
Thread Size	M4
Types	4



[Request for Quote](#)

[Contact Us](#)

USA
4392 Broadway
Depew, NY 14043

Canada
2290 Industrial Street
Burlington, Ontario
L7P 1A1

888.842.5668

905.335.5523

info@rpmrubberparts.com

