

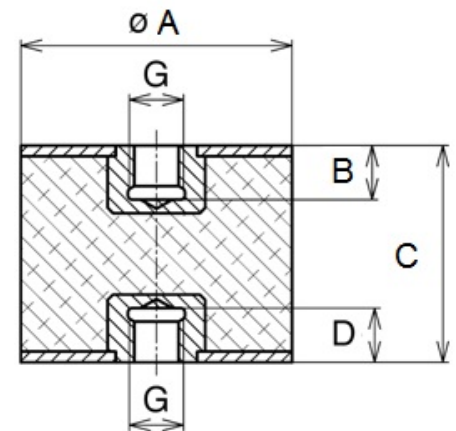
VMC-5040M Sandwich Mounts Metric Thread Type 4



Item # VMC-5040M Sandwich Mounts Metric Thread Type 4
Manufacturer: RPM Mechanical

Specifications

| | |
|---------------------------------------|----------------|
| A (in) | 2 |
| B (in) | 0.39 |
| C (in) | 1.57 |
| Compression Spring Rate Kc (Imperial) | 117 |
| Compression Spring Rate Kc (Metric) | 662 |
| Compression Static Load (lbs) | 582 |
| Compression Static Load (Metric) | 2591 |
| D (in) | 0.39 |
| Durometer | 68 |
| Elastomer | Natural Rubber |
| Manufacturer | |
| Shear Spring Rate Ks (lbs/in) | 23 |
| Shear Spring Rate Ks (Metric) | 129 |



[Request for Quote](#)

[Contact Us](#)

USA
 4392 Broadway
 Depew, NY 14043

Canada
 2290 Industrial Street
 Burlington, Ontario
 L7P 1A1

888.842.5668

905.335.5523

info@rpmrubberparts.com



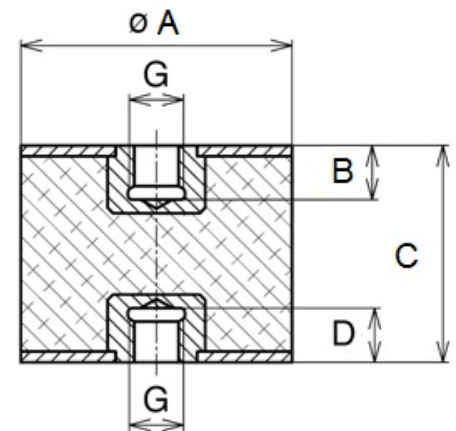
VMC-5040M Sandwich Mounts Metric Thread Type 4



Item # VMC-5040M Sandwich Mounts Metric Thread Type 4
Manufacturer: RPM Mechanical

Specifications (Continued)

| | |
|----------------------------|-----|
| Shear Static Load (lbs) | 194 |
| Shear Static Load (Metric) | 864 |
| Thread Size | M10 |
| Types | 4 |



[Request for Quote](#)

[Contact Us](#)

USA
4392 Broadway
Depew, NY 14043

Canada
2290 Industrial Street
Burlington, Ontario
L7P 1A1

888.842.5668

905.335.5523

info@rpmrubberparts.com

