

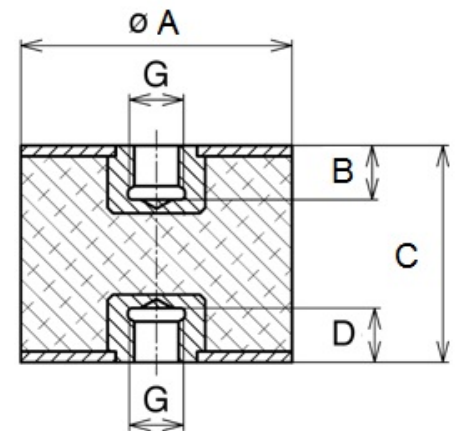
# VMC-7040C Sandwich Mounts Metric Thread Type 4



**Item #** VMC-7040C Sandwich Mounts Metric Thread Type 4  
**Manufacturer:** RPM Mechanical

## Specifications

|                                       |                |
|---------------------------------------|----------------|
| A (in)                                | 2 3/4          |
| B (in)                                | 0.39           |
| C (in)                                | 1.57           |
| Compression Spring Rate Kc (Imperial) | 152            |
| Compression Spring Rate Kc (Metric)   | 111            |
| Compression Static Load (lbs)         | 822            |
| Compression Static Load (Metric)      | 3403           |
| D (in)                                | 0.39           |
| Durometer                             | 57             |
| Elastomer                             | Natural Rubber |
| Manufacturer                          |                |
| Shear Spring Rate Ks (lbs/in)         | 25             |
| Shear Spring Rate Ks (Metric)         | 144            |


[Request for Quote](#)
[Contact Us](#)

**USA**  
4392 Broadway  
Depew, NY 14043

**Canada**  
2290 Industrial Street  
Burlington, Ontario  
L7P 1A1

888.842.5668

905.335.5523

[info@rpmrubberparts.com](mailto:info@rpmrubberparts.com)



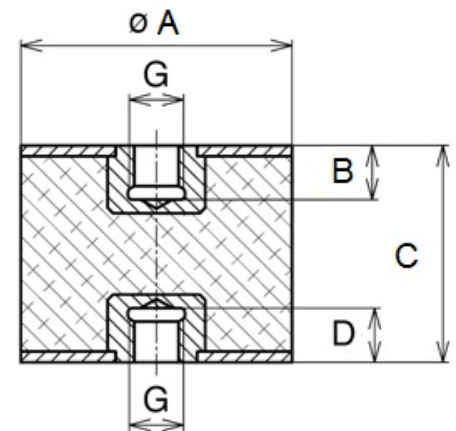
# VMC-7040C Sandwich Mounts Metric Thread Type 4



Item # VMC-7040C Sandwich Mounts Metric Thread Type 4  
Manufacturer: RPM Mechanical

## Specifications (Continued)

|                            |      |
|----------------------------|------|
| Shear Static Load (lbs)    | 274  |
| Shear Static Load (Metric) | 1220 |
| Thread Size                | M10  |
| Types                      | 4    |



[Request for Quote](#)

[Contact Us](#)

**USA**  
4392 Broadway  
Depew, NY 14043

**Canada**  
2290 Industrial Street  
Burlington, Ontario  
L7P 1A1

888.842.5668

905.335.5523

[info@rpmrubberparts.com](mailto:info@rpmrubberparts.com)

