

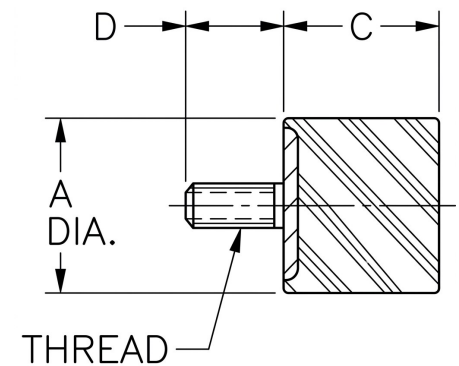
VMD-1030P Sandwich Mounts Metric Thread Type 3



Item # VMD-1030P Sandwich Mounts Metric Thread Type 3
Manufacturer: RPM Mechanical Inc

Specifications

A (in)	4
C (in)	1.18
Compression Spring Rate Kc (Imperial)	794
Compression Spring Rate Kc (Metric)	4487
Compression Static Load (lbs)	3933
Compression Static Load (Metric)	17499
D (in)	1.77
Durometer	68
Elastomer	Natural Rubber
Grade per SAE J429	1
Manufacturer	RPM Mechanical Inc.
Thread Size	M16
Thread Type	Metric



Vibration Bumper Foot



[Request for Quote](#)

[Contact Us](#)

USA
4392 Broadway
Depew, NY 14043

Canada
2290 Industrial Street
Burlington, Ontario
L7P 1A1

888.842.5668
905.335.5523
info@rpmrubberparts.com



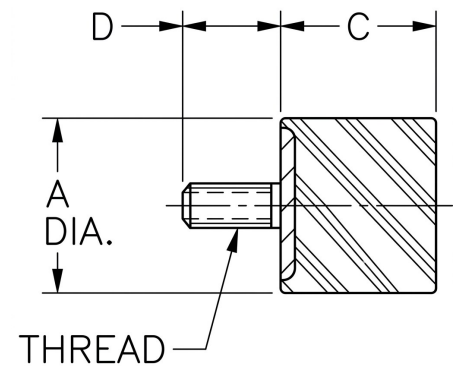
VMD-1030P Sandwich Mounts Metric Thread Type 3



Item # VMD-1030P Sandwich Mounts Metric Thread Type 3
Manufacturer: RPM Mechanical Inc

Specifications (Continued)

Types	3
-------	---



Vibration Bumper Foot



[Request for Quote](#)

[Contact Us](#)

USA
4392 Broadway
Depew, NY 14043

Canada
2290 Industrial Street
Burlington, Ontario
L7P 1A1

888.842.5668

905.335.5523

info@rpmrubberparts.com

