

VMD-5055N Sandwich Mounts Metric Thread Type 3

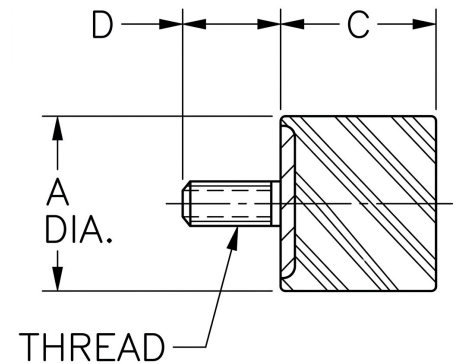


Item # VMD-5055N Sandwich Mounts Metric Thread Type 3

Manufacturer: RPM Mechanical Inc

Specifications

A (in)	2
C (in)	2.15
Compression Spring Rate Kc (Imperial)	15
Compression Spring Rate Kc (Metric)	84
Compression Static Load (lbs)	147
Compression Static Load (Metric)	655
D (in)	1.1
Durometer	43
Elastomer	Natural Rubber
Grade per SAE J429	1
Manufacturer	RPM Mechanical Inc.
Thread Size	M10
Thread Type	Metric



Vibration Bumper Foot



[Request for Quote](#)

[Contact Us](#)

USA
4392 Broadway
Depew, NY 14043

Canada
2290 Industrial Street
Burlington, Ontario
L7P 1A1

888.842.5668

905.335.5523

info@rpmrubberparts.com



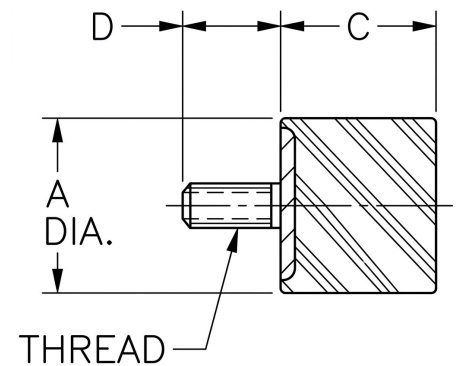
VMD-5055N Sandwich Mounts Metric Thread Type 3



Item # VMD-5055N Sandwich Mounts Metric Thread Type 3
Manufacturer: RPM Mechanical Inc

Specifications (Continued)

Types	3
-------	---



Vibration Bumper Foot



[Request for Quote](#)

[Contact Us](#)

USA
4392 Broadway
Depew, NY 14043

Canada
2290 Industrial Street
Burlington, Ontario
L7P 1A1

888.842.5668

905.335.5523

info@rpmrubberparts.com

