

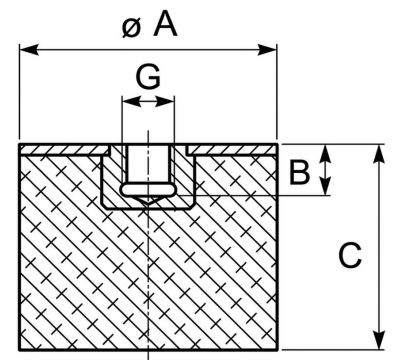
VME-1035E Sandwich Mounts Metric Thread Type 5



Item # VME-1035E Sandwich Mounts Metric Thread Type 5
Manufacturer: RPM Mechanical

Specifications

A (in)	4
B (in)	0.63
C (in)	1.38
Compression Spring Rate Kc (Imperial)	232
Compression Spring Rate Kc (Metric)	2605
Compression Static Load (lbs)	2354
Compression Static Load (Metric)	10473
Durometer	57
Elastomer	Natural Rubber
Manufacturer	
Thread Size	M16
Thread Type	Metric
Types	5


[Request for Quote](#)
[Contact Us](#)

USA
4392 Broadway
Depew, NY 14043

Canada
2290 Industrial Street
Burlington, Ontario
L7P 1A1

888.842.5668

905.335.5523

info@rpmrubberparts.com