

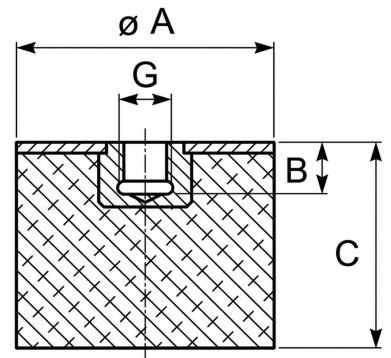
VME-2530Q Sandwich Mounts Metric Thread Type 5



Item # VME-2530Q Sandwich Mounts Metric Thread Type 5
 Manufacturer: RPM Mechanical

Specifications

A (in)	1
B (in)	0.24
C (in)	1.18
Compression Spring Rate Kc (Imperial)	36
Compression Spring Rate Kc (Metric)	163
Compression Static Load (lbs)	5.7
Compression Static Load (Metric)	32
Durometer	68
Elastomer	Natural Rubber
Manufacturer	
Thread Size	M6
Thread Type	Metric
Types	5



[Request for Quote](#)

[Contact Us](#)

USA
 4392 Broadway
 Depew, NY 14043

Canada
 2290 Industrial Street
 Burlington, Ontario
 L7P 1A1

☎ 888.842.5668

☎ 905.335.5523

✉ info@rpmrubberparts.com

