

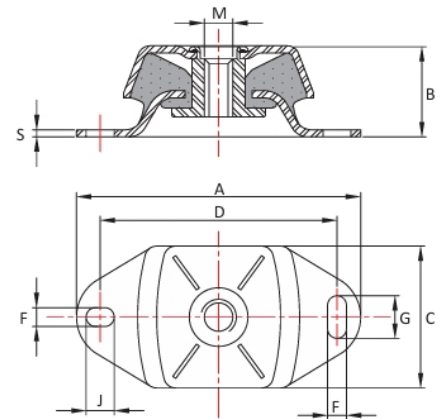
# VMS-1657-55-M20 Marine Mount



Item # VMS-1657-55-M20 Marine Mount

## Specifications

A (mm)	228
B (mm)	70
C (mm)	114
D (mm)	182
F (mm)	18
G (mm)	35
J (mm)	25
M (mm)	M20
S (mm)	5
Max Load (kg)	600



[Request for Quote](#)

[Contact Us](#)

**USA**  
4392 Broadway  
Depew, NY 14043

**Canada**  
2290 Industrial Street  
Burlington, Ontario  
L7P 1A1

☎ 888.842.5668

☎ 905.335.5523

✉ [info@rpmrubberparts.com](mailto:info@rpmrubberparts.com)

