

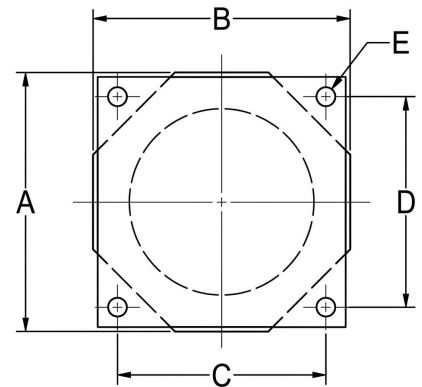
VSM-180076-1 Large Shear Mounts



Item # VSM-180076-1 Large Shear Mounts
Manufacturer: RPM Mechanical Inc

Specifications

A (in)	7.12
B (in)	7.12
C (in)	5.75
Compression Spring Rate Kc (Imperial)	9400
Compression Spring Rate Kc (Metric)	1646
Compression Static Load (lbs)	4900
Compression Static Load (Metric)	21746
D (in)	5.75
E (in)	0.51
Elastomer	Natural Rubber
F (in)	3
F (mm)	76.2
Flange Thickness (in)	0.19


[Request for Quote](#)
[Contact Us](#)

USA
 4392 Broadway
 Depew, NY 14043

Canada
 2290 Industrial Street
 Burlington, Ontario
 L7P 1A1

888.842.5668

905.335.5523

info@rpmrubberparts.com



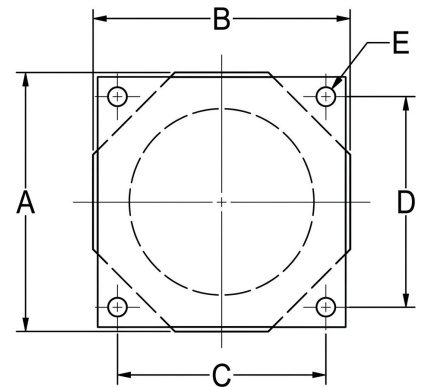
VSM-180076-1 Large Shear Mounts



Item # VSM-180076-1 Large Shear Mounts
Manufacturer: RPM Mechanical Inc

Specifications (Continued)

Flange Thickness (mm)	4.8
G (in)	5.3
G (mm)	134.6
Grade per SAE J429	2
Manufacturer	RPM Mechanical Inc.
Shear Spring Rate Ks (lbs/in)	1450
Shear Spring Rate Ks (Metric)	254
Shear Static Load (lbs)	600
Shear Static Load (Metric)	2669
Types	5L



[Request for Quote](#)

[Contact Us](#)

USA
 4392 Broadway
 Depew, NY 14043

Canada
 2290 Industrial Street
 Burlington, Ontario
 L7P 1A1

☎ 888.842.5668
 ☎ 905.335.5523
 ✉ info@rpmrubberparts.com

