

# VSM-228101-1 Large Shear Mounts

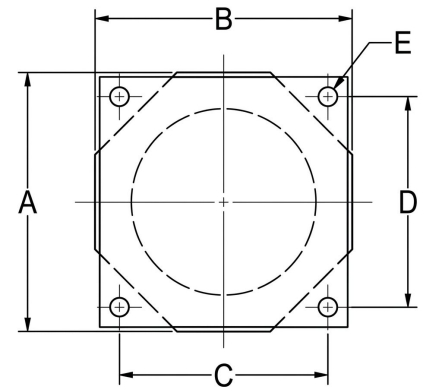


Item # VSM-228101-1 Large Shear Mounts

Manufacturer: RPM Mechanical Inc

## Specifications

A (in)	9
B (in)	9
C (in)	7.5
Compression Spring Rate Kc (Imperial)	8400
Compression Spring Rate Kc (Metric)	1471
Compression Static Load (lbs)	6000
Compression Static Load (Metric)	26689
D (in)	7.5
E (in)	0.51
Elastomer	Natural Rubber
F (in)	4
F (mm)	101.6
Flange Thickness (in)	0.19



Compactor Mount



[Request for Quote](#)

[Contact Us](#)

**USA**  
4392 Broadway  
Depew, NY 14043

**Canada**  
2290 Industrial Street  
Burlington, Ontario  
L7P 1A1

888.842.5668

905.335.5523

[info@rpmrubberparts.com](mailto:info@rpmrubberparts.com)



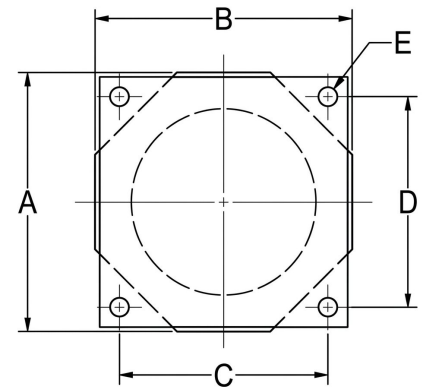
# VSM-228101-1 Large Shear Mounts



Item # VSM-228101-1 Large Shear Mounts  
 Manufacturer: RPM Mechanical Inc

## Specifications (Continued)

Flange Thickness (mm)	4.8
G (in)	6.5
G (mm)	165.1
Grade per SAE J429	2
Manufacturer	RPM Mechanical Inc.
Shear Spring Rate Ks (lbs/in)	1256
Shear Spring Rate Ks (Metric)	220
Shear Static Load (lbs)	900
Shear Static Load (Metric)	203
Types	5L



Compactor Mount



[Request for Quote](#)

[Contact Us](#)

**USA**  
 4392 Broadway  
 Depew, NY 14043

**Canada**  
 2290 Industrial Street  
 Burlington, Ontario  
 L7P 1A1

☎ 888.842.5668

☎ 905.335.5523

✉ info@rpmrubberparts.com

