

VSM-228101-2 Large Shear Mounts

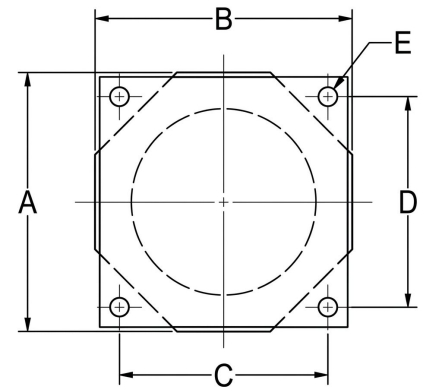


Item # VSM-228101-2 Large Shear Mounts

Manufacturer: RPM Mechanical Inc

Specifications

A (in)	9
B (in)	9
C (in)	7.5
Compression Spring Rate Kc (Imperial)	10500
Compression Spring Rate Kc (Metric)	1839
Compression Static Load (lbs)	7600
Compression Static Load (Metric)	33806
D (in)	7.5
E (in)	0.51
Elastomer	Natural Rubber
F (in)	4
F (mm)	101.6
Flange Thickness (in)	0.19



[Request for Quote](#)

[Contact Us](#)

USA
4392 Broadway
Depew, NY 14043

Canada
2290 Industrial Street
Burlington, Ontario
L7P 1A1

888.842.5668

905.335.5523

info@rpmrubberparts.com



VSM-228101-2 Large Shear Mounts

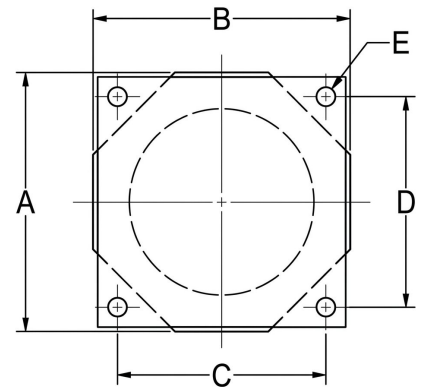


Item # VSM-228101-2 Large Shear Mounts

Manufacturer: RPM Mechanical Inc

Specifications (Continued)

Flange Thickness (mm)	4.8
G (in)	6.5
G (mm)	165.1
Grade per SAE J429	2
Manufacturer	RPM Mechanical Inc.
Shear Spring Rate Ks (lbs/in)	1675
Shear Spring Rate Ks (Metric)	293
Shear Static Load (lbs)	900
Shear Static Load (Metric)	203
Types	5L



[Request for Quote](#)

[Contact Us](#)

USA
4392 Broadway
Depew, NY 14043

Canada
2290 Industrial Street
Burlington, Ontario
L7P 1A1

888.842.5668

905.335.5523

info@rpmrubberparts.com

