

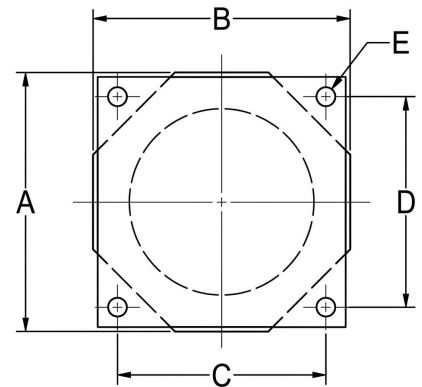
VSM-240140-1 Large Shear Mounts



Item # VSM-240140-1 Large Shear Mounts
Manufacturer: RPM Mechanical Inc

Specifications

A (in)	9.44
B (in)	9.44
C (in)	7.5
Compression Spring Rate Kc (Imperial)	5800
Compression Spring Rate Kc (Metric)	1016
Compression Static Load (lbs)	5800
Compression Static Load (Metric)	25800
D (in)	7.5
E (in)	0.76
Elastomer	Natural Rubber
F (in)	5.5
F (mm)	139.7
Flange Thickness (in)	0.25


[Request for Quote](#)
[Contact Us](#)

USA
 4392 Broadway
 Depew, NY 14043

Canada
 2290 Industrial Street
 Burlington, Ontario
 L7P 1A1

888.842.5668

905.335.5523

info@rpmrubberparts.com



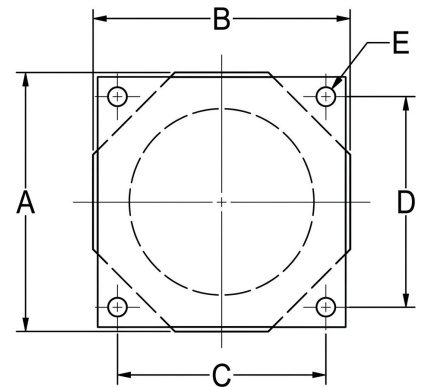
VSM-240140-1 Large Shear Mounts



Item # VSM-240140-1 Large Shear Mounts
Manufacturer: RPM Mechanical Inc

Specifications (Continued)

Flange Thickness (mm)	6.4
G (in)	7.4
G (mm)	188.88
Grade per SAE J429	2
Manufacturer	RPM Mechanical Inc.
Shear Spring Rate Ks (lbs/in)	1500
Shear Spring Rate Ks (Metric)	270
Shear Static Load (lbs)	1200
Shear Static Load (Metric)	5338
Types	5L



[Request for Quote](#)

[Contact Us](#)

USA
 4392 Broadway
 Depew, NY 14043

Canada
 2290 Industrial Street
 Burlington, Ontario
 L7P 1A1

☎ 888.842.5668
 ☎ 905.335.5523
 ✉ info@rpmrubberparts.com

