

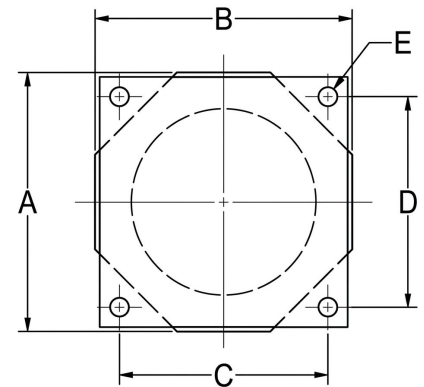
# VSM-240140-2 Large Shear Mounts



**Item #** VSM-240140-2 Large Shear Mounts  
**Manufacturer:** RPM Mechanical Inc

## Specifications

A (in)	9.44
B (in)	9.44
C (in)	7.5
Compression Spring Rate Kc (Imperial)	5800
Compression Spring Rate Kc (Metric)	1016
Compression Static Load (lbs)	5800
Compression Static Load (Metric)	25800
D (in)	7.5
E (in)	0.76
Elastomer	Natural Rubber
F (in)	5.5
F (mm)	139.7
Flange Thickness (in)	0.25


[Request for Quote](#)
[Contact Us](#)

**USA**  
 4392 Broadway  
 Depew, NY 14043

**Canada**  
 2290 Industrial Street  
 Burlington, Ontario  
 L7P 1A1

888.842.5668

905.335.5523

[info@rpmrubberparts.com](mailto:info@rpmrubberparts.com)



# VSM-240140-2 Large Shear Mounts

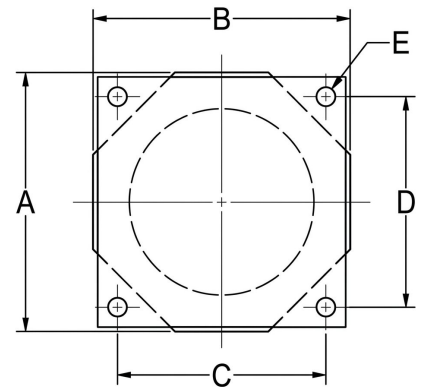


Item # VSM-240140-2 Large Shear Mounts

Manufacturer: RPM Mechanical Inc

## Specifications (Continued)

Flange Thickness (mm)	6.4
G (in)	7.4
G (mm)	188.88
Grade per SAE J429	2
Manufacturer	RPM Mechanical Inc.
Shear Spring Rate Ks (lbs/in)	970
Shear Spring Rate Ks (Metric)	170
Shear Static Load (lbs)	1200
Shear Static Load (Metric)	5338
Types	5L



[Request for Quote](#)

[Contact Us](#)

**USA**  
4392 Broadway  
Depew, NY 14043

**Canada**  
2290 Industrial Street  
Burlington, Ontario  
L7P 1A1

888.842.5668

905.335.5523

[info@rpmrubberparts.com](mailto:info@rpmrubberparts.com)

