

SMALL INDUSTRIAL ENGINE MOUNTS

FEATURING:
J-20922 SERIES

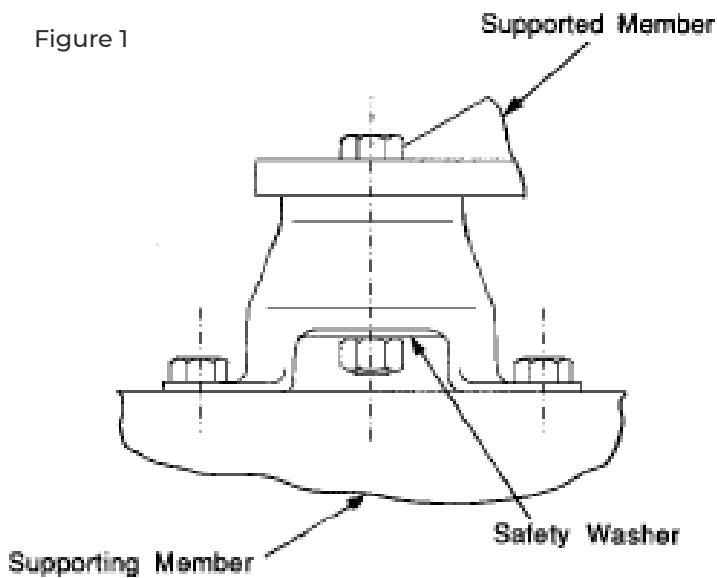


Small Industrial Engine Mounts

Lord Corporation's J-20922 series of small engine mounts are especially designed for mounting 2-, 3- and 4-cylinder gas or diesel engines in various types of vehicles and equipment.

Features and Benefits:

- Moderately soft vertical stiffness.
- Soft lateral and fore/aft stiffness.
- Snubbed to limit travel in all directions.
- Inter-locked metals (when assembled with washer) provide safety restraint.
- Well-suited for low mounting locations.
- 120-300 lb. load ratings.



J-20922 Series (Load Data)

Specifications and Dimensions: Table 1

Part Number	Max. Axial Rated Load @ .1 in. (2.5 mm) Deflection		Axial Spring Rates		Lateral Spring Rates		Color Code
	lbs	N	lbs/in	N / mm	lbs/in	N / mm	
J-20922-21	120	534	1200	210	200	35	Red
J-20922-22	140	623	1400	245	250	44	Yellow
J-20922-23	170	756	1700	300	300	53	Green
J-20922-24	210	934	2100	370	360	63	Blue
J-20922-25	250	1112	2500	440	420	74	Purple
J-20922-26	300	1334	3000	550	500	90	Orange

Note: Washer part number is J-2049-3.
Elastomer is natural rubber.

Part Dimension - J-20922 Series

Figure 2

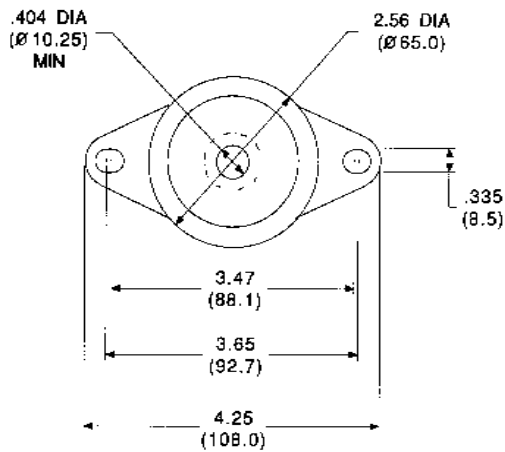


Figure 3

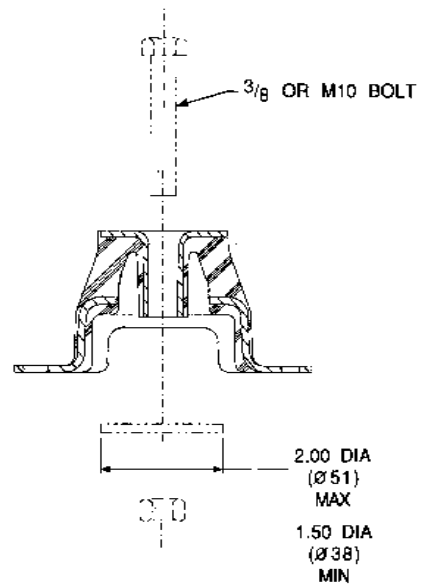
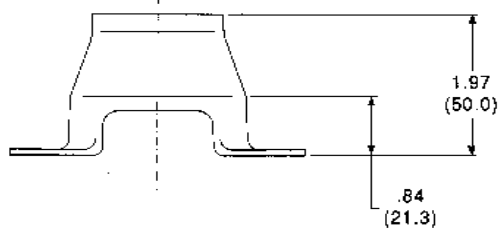


Figure 4



Washer, nut and bolt not supplied with mount.