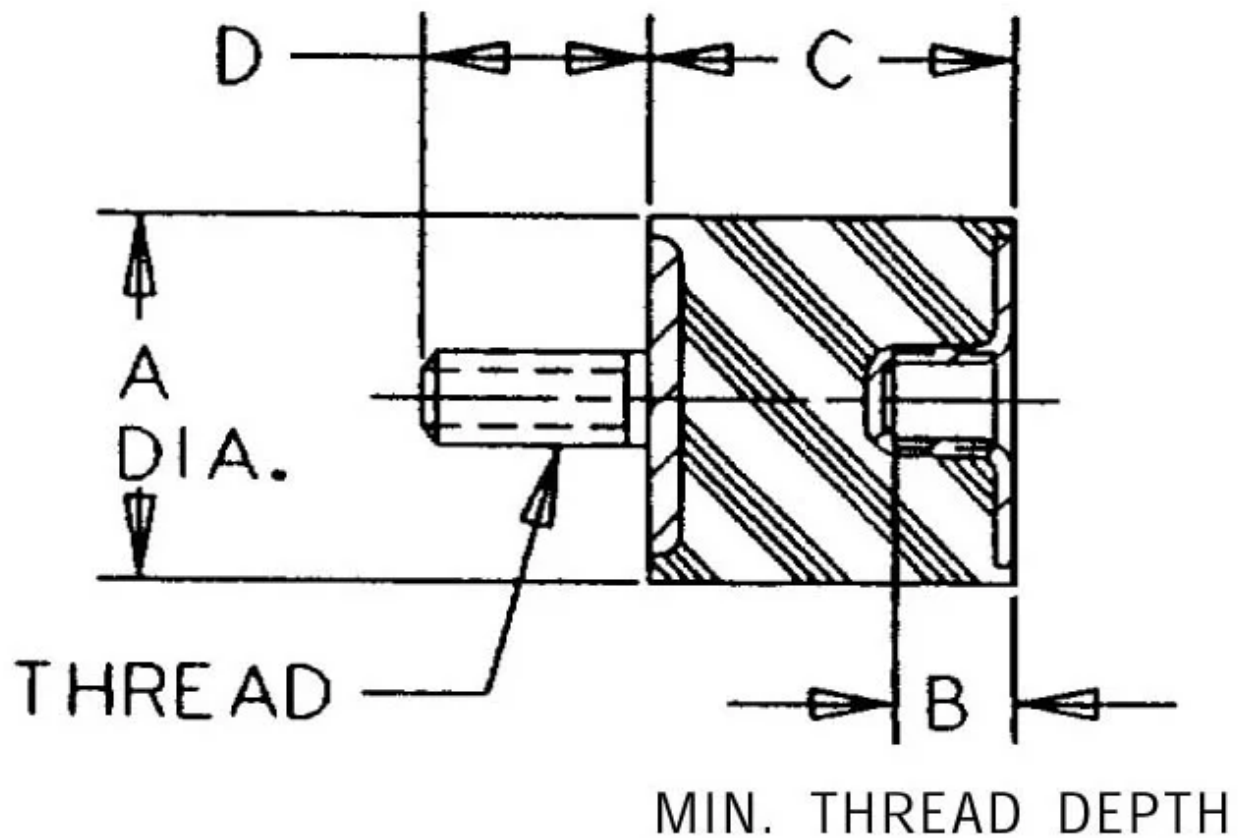
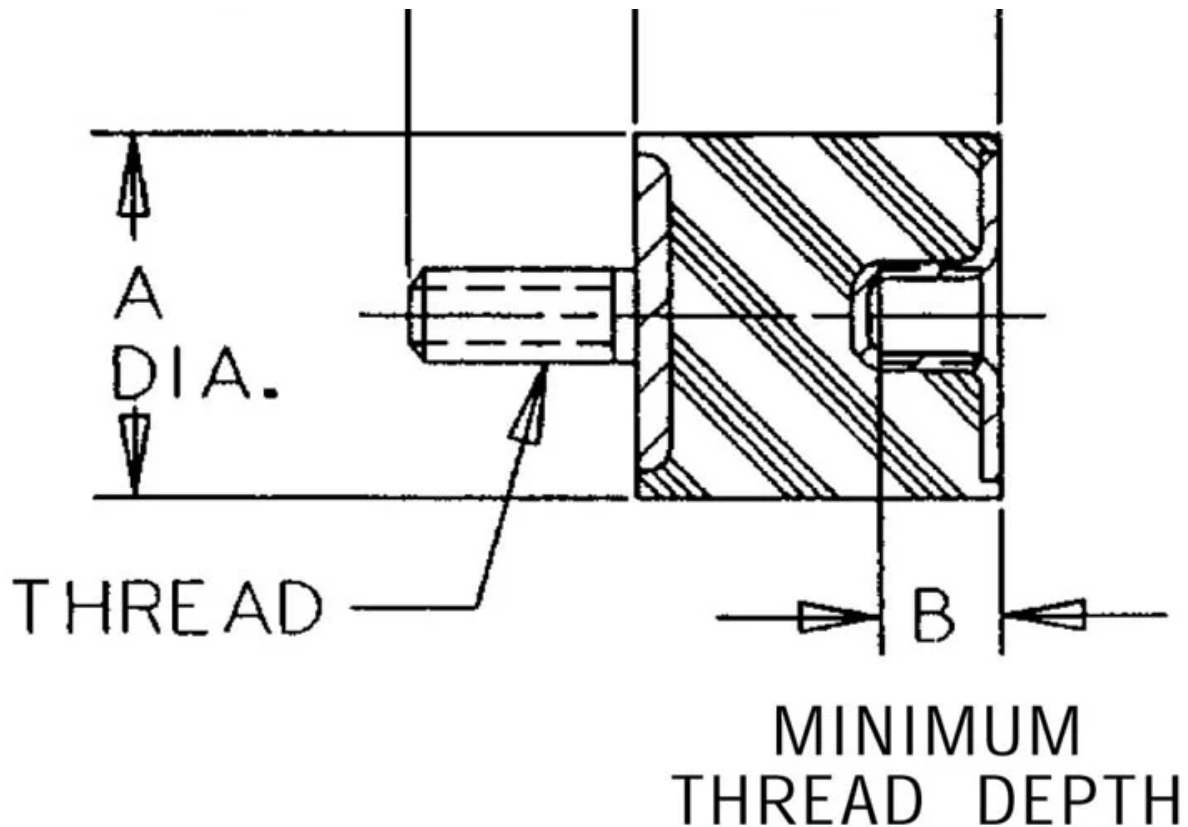


VMB-6035B

in Sandwich Mounts (Metric Thread) Type 2





- Economical.
- Compact and lightweight.
- Easy to install.
- Maintenance-free.
- Three size groups: small, medium and large.
- Unitized construction.

Rubber Flex Sandwich Mounts are designed to protect equipment and machinery against damaging vibration. This family of mounts has excellent capacity for energy control. Constructed with high-strength bonds and specially compounded elastomers, these mounts provide high load-carrying capacity and assure long life.

The simple design and unitized construction provide low-cost mounting systems which are compact, lightweight, easy to install and maintenance-free.

These mounts are available in three size groups to suit a variety of applications. Rubber Flex Sandwich Mounts are available in metric and standard (UNC) threads.

Typical applications for Rubber Flex Sandwich Mounts include medical equipment, business machines, motorcycles, heating, ventilating and air conditioning equipment, light motors, appliances, shipping containers, feeders, compactors and vibratory rollers.

COMPRESSION STATIC LOAD (LBS)	581
COMPRESSION STATIC LOAD (N)	2588
COMPRESSION - SPRING RATE KC (LBS/IN)	118
COMPRESSION - SPRING RATE KC (N/MM)	671
SHEAR STATIC LOAD (LBS)	193
SHEAR STATIC LOAD (N)	863
SHEAR - SPRING RATE KS (LBS/IN)	20
SHEAR - SPRING RATE KS (N/MM)	116
A (IN)	2.36
B (IN)	0.39
C (IN)	1.38
D (IN)	1.06
THREAD SIZE	M10
DUROMETER	57
ELASTOMER	Natural Rubber
THREAD TYPE	Metric
PRODUCT TYPE	Mounts
MANUFACTURER	RPM Mechanical Inc
TYPE	2
GRADE PER SAE J429	4.6