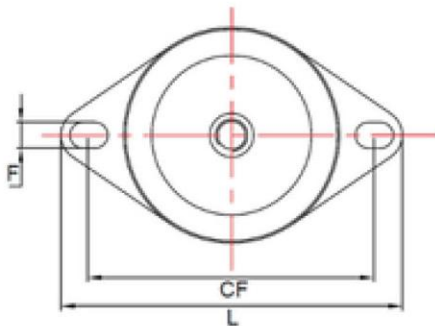
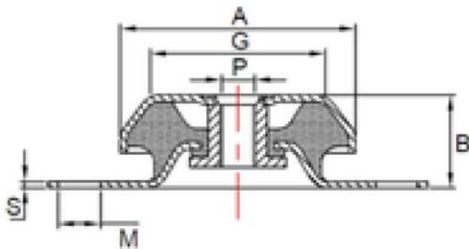


# ANTI-VIBRATION FLANGE MOUNTS

VIBRATION CONTROL PRODUCTS

Flange mounts, or anti-vibration mounts, are universal mounting and popular in a wide range of applications and industries. Flange mounts are cost-effective, high-performing, and easy to install. The rubber is used in shear compression providing optimum performance and a wide range of flexibility. Offering vibration reduction up to 95%.



- ✓ The metal top cover provides protection from contamination, such as oil and fuel. The 2-bolt flange has load ratings from 20kg to 5,000kg.
- ✓ Flange mounts are designed with an integral mechanism to stop and control the movement of the mounted equipment.
- ✓ These mounts are easy to install, allowing for quicker installs and manufacturing time.
- ✓ Their fail-safe design makes them perfect for mobile applications where space constraints are typical and are ideal for both mobile and static applications.

> SEE NEXT PAGES FOR PART DETAILS

Item #	Max Load (kg)	P (mm)	CF (mm)	L (mm)	B (mm)	A (mm)	G (mm)	S (mm)
VFM-14453-9-M16	1600	M16	176-188	216	53	155	120	4
VFM-14453-1-M16	500	M16	176-188	216	53	155	120	4
VFM-14448-3-M16	1500	M16	176-188	216	48	155	120	4
VFM-1214216-60-M16	625	M16	150-163	190	42	121	92	4
VFM-1214216-45-M16	400	M16	150-163	190	42	121	92	4
VFM-11548-70-M16	2000	M16	160	190	48	115	85	4
VFM-1064212-4-M12	625	M12	138 - 146	171	42	106	80	4
VFM-1064212-3-M12	500	M12	138 - 146	171	42	106	80	4
VFM-1063812-70-M12	525	M12	138 - 146	171	38	106	80	4
VFM-883512-60-M12	190	M12	108 - 110	135	35	83	65	3
VFM-933512-45-M12	200	M12	122 - 124	144	35	93	70	2.5
VFM-933512-60-M12	320	M12	122 - 124	144	35	93	70	2.5
VFM-1063812-45-M12	250	M12	138 - 146	171	38	106	80	4
VFM-1063812-60-M12	350	M12	138 - 146	171	38	106	80	4
VFM-1064212-1-M12	200	M12	138 - 146	171	42	106	80	4
VFM-1064212-2-M12	375	M12	138 - 146	171	42	106	80	4
VFM-883512-40-M12	70	M12	108 - 110	135	35	83	65	3
VFM-48238-40-M8	40	M8	68	84	23	48	34	2
VFM-48238-60-M8	80	M8	68	84	23	48	34	2
VFM-633512-1-M12	40	M12	76 - 90	110	35	63	50	2.5
VFM-633512-2-M12	60	M12	76 - 90	110	35	63	50	2.5
VFM-633512-3-M12	100	M12	76 - 90	110	35	63	50	2.5
VFM-633512-4-M12	130	M12	76 - 90	110	35	63	50	2.5
VFM-633512-5-M12	175	M12	76 - 90	110	35	63	50	2.5
VFM-633512-6-M12	225	M12	76 - 90	110	35	63	50	2.5
VFM-773012-45-M12	110	M12	108 - 110	135	30	77	60	3
VFM-773012-60-M12	275	M12	108 - 110	135	30	77	60	3
VFM-883512-50-M12	140	M12	108 - 110	135	35	83	65	3
VFM-11548-60-M16	1250	M16	160	190	48	115	85	4
VFM-14453-8-M16	800	M16	176 - 188	216	53	155	120	4
VFM-14448-2-M16	750	M16	176 - 188	216	48	155	120	4
VFM-12548-60-M16	700	M16	150 - 163	192	48	125	99	4
VFM-12548-50-M16	500	M16	150 - 163	192	48	125	99	4
VFM-12548-40-M16	350	M16	150 - 163	192	48	125	99	4
VFM-1214212-60-M12	625	M12	150 - 163	190	42	121	92	4
VFM-1214212-45-M12	400	M12	150 - 163	190	42	121	92	4
VFM-633510-5-M10	175	M10	76 - 90	110	35	63	50	2.5
VFM-833510-50-M10	140	M10	108 - 110	135	35	83	65	3

Item #	Max Load (kg)	P (mm)	CF (mm)	L (mm)	B (mm)	A (mm)	G (mm)	S (mm)
VFM-833510-40-M10	70	M10	108 - 110	135	35	83	65	3
VFM-773010-60-M10	275	M10	108 - 110	135	30	77	60	3
VFM-773010-45-M10	110	M10	108 - 110	135	30	77	60	3
VFM-6535-60-M12	120	M12	100	120	35	65	45	3
VFM-6535-50-M12	80	M12	100	120	35	65	45	3
VFM-6535-40-M12	50	M12	100	120	35	65	45	3
VFM-633510-6-M10	225	M10	76 - 90	110	35	63	50	2.5
VFM-833510-60-M10	190	M10	108 - 110	135	35	83	65	3
VFM-633510-4-M10	130	M10	76 - 90	110	35	63	50	2.5
VFM-633510-3-M10	100	M10	76 - 90	110	35	63	50	2.5
VFM-633510-2-M10	60	M10	76 - 90	110	35	63	50	2.5
VFM-633510-1-M10	40	M10	76 - 90	110	35	63	50	2.5
VRB-1000-1-M12	130	M12	76	93	34	64	47	2.5
VRB-1000-2-M12	110	M12	76	93	34	64	47	2.5
VRB-1000-3-M12	70	M12	76	93	34	64	47	2.5
VFM-48236-60-M6	80	M6	68	84	23	48	34	2
VFM-1063810-70-M10	525	M10	138 - 146	171	38	106	80	4
VFM-11548-45-M16	500	M16	160	190	48	115	85	4
VFM-10850-70-M16	1500	M16	160	190	50	108	83	5
VFM-10850-60-M16	600	M16	160	190	50	108	83	5
VFM-10850-45-M16	400	M16	160	190	50	108	83	5
VFM-1064210-4-M10	625	M10	138 - 146	171	42	106	80	4
VFM-1064210-3-M10	500	M10	138 - 146	171	42	106	80	4
VFM-1064210-2-M10	375	M10	138 - 146	171	42	106	80	4
VFM-1064210-1-M10	200	M10	138 - 146	171	42	106	80	4
VFM-48236-40-M6	40	M6	68	84	23	48	34	2
VFM-1063810-60-M10	350	M10	138 - 146	171	38	106	80	4
VFM-1063810-45-M10	250	M10	138 - 146	171	38	106	80	4
VFM-933510-60-M10	320	M10	122 - 124	144	35	93	70	2.5
VFM-933510-45-M10	200	M10	122 - 124	144	35	93	70	2.5
VFM-9245-70-M12	750	M12	110	128	45	92	73	3
VFM-9245-60-M12	650	M12	110	128	45	92	73	3
VFM-9245-45-M12	350	M12	110	128	45	92	73	3

DEFLECTION CURVES FOR ANTI-VIBRATION FANGE MOUNTS

